

Features

- Fixture-mount design.
- Includes a 30-year hybrid energy cell.
- Retrofit models require a control stop and vacuum breaker.

Material

- Brass construction.

Technology

- Electronic infrared sensor with WAVE technology for accurate activation.
- Slow-closing piston technology.

Installation

- Intended for toilet installations with 1-1/2" spud coupling connection.



ADA CSA B651 OBC

Codes/Standards

ASME A112.18.1/CSA B125.1
ASSE 1037/ASME A112.1037/CSA B125.37
ADA
ICC/ANSI A117.1
CSA B651
OBC

KOHLER® One-Year Limited Warranty

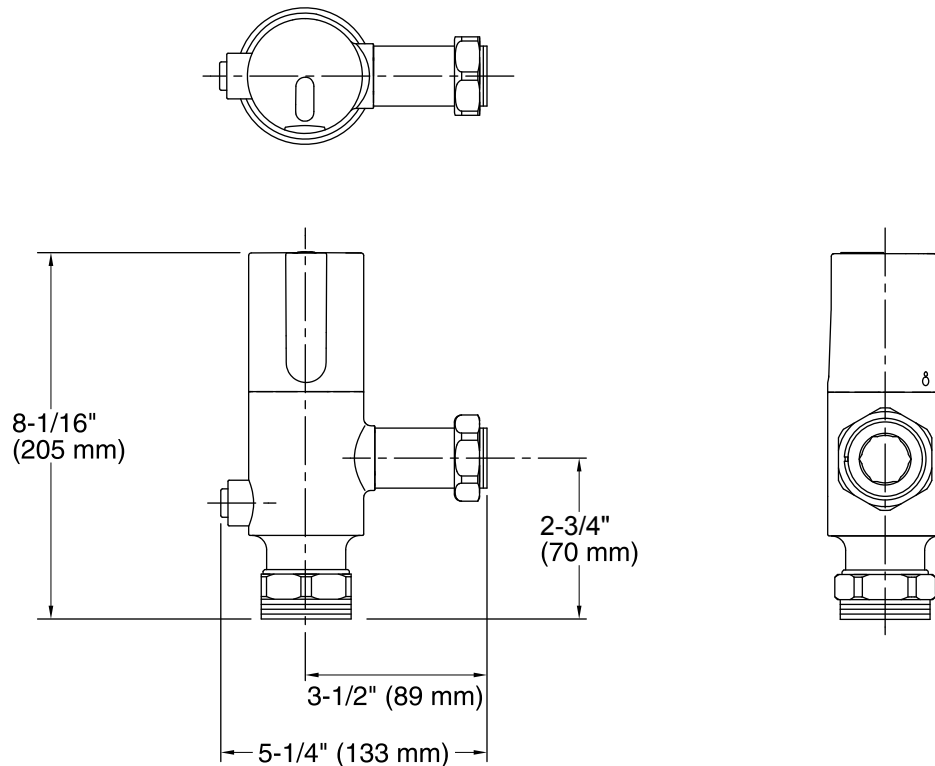
See website for detailed warranty information.

Available Colors/Finishes

Color tiles intended for reference only.

| Color | Code | Description |
|-------|------|-------------|
|-------|------|-------------|

| | | |
|--|----|-----------------|
|  | CP | Polished Chrome |
|--|----|-----------------|



Technical Information

All product dimensions are nominal.

Power source: Hybrid Energy Cell, included

Fixture pressure max 80 psi (551.6 kPa)
(static):

Pressure and Supply Requirements

Fixture Supply Requirements

Max static pressure: 80 psi (551.6 kPa)

Min flowing pressure: 25 psi (172.4 kPa)

Min flow rate: 25 gpm (94.6 lpm)

Notes

Install this product according to the installation guide.

ADA, OBC, CSA B651 compliant when installed to the specific requirements of these regulations.