

Features

- Brass construction.
- Brass valve bodies.
- Quarter-turn washerless ceramic disc valves.
- 5" (127 mm) spout reach.
- Pop-up drain with lift rod and tailpiece.
- 8" (203 mm) rigid connections.
- Standard aerator.
- Variety of handle style options.
- 2.0 gal/min (7.6 l/min) maximum flow rate [max at 60 psi (4.14 bar)].

Required Products/Accessories

- K-16012-2 Standard Handles for Widespread Base Faucet
- or
- K-16012-3 Cross Handles for Widespread Base Faucet
- or
- K-16012-4 Lever Handles for Widespread Base Faucet
- or
- K-16012-5 Wristblade Handles for Widespread Base Faucet



Codes/Standards

ASME A112.18.1/CSA B125.1
NSF/ANSI 61
NSF/ANSI 372
All applicable US Federal and State material regulations
DOE - Energy Policy Act 1992

KOHLER® Faucet Lifetime Limited Warranty

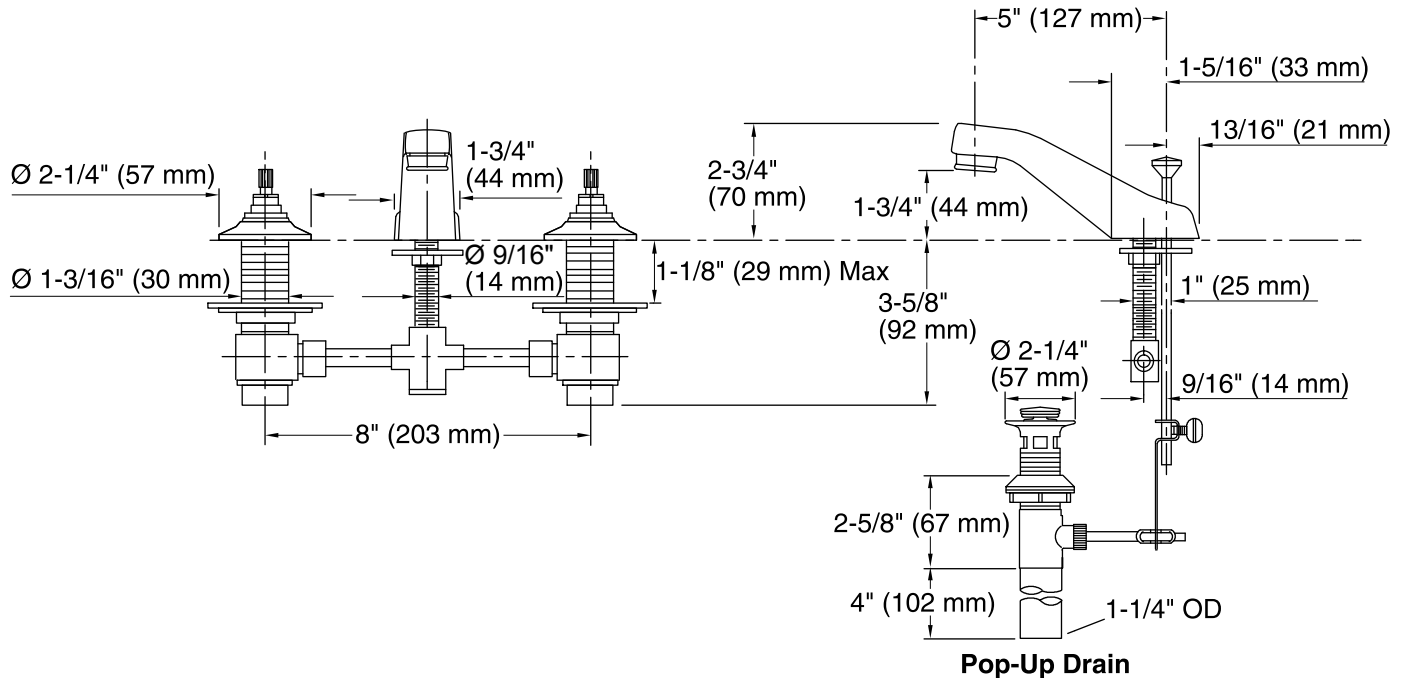
See website for detailed warranty information.

Available Colors/Finishes

Color tiles intended for reference only.

Color	Code	Description
-------	------	-------------

	PB	Vibrant® Polished Brass
--	----	-------------------------



Technical Information

All product dimensions are nominal.

Faucet:

Flow rate: 2 gal/min (7.6 l/min)

Pressure: 60 psi (4.1 bar)

Drain included: Yes

Drain tailpiece included: Yes

Spout:

Spout reach: 5" (127 mm)

Notes

Install this product according to the installation guide.