

Features

- Quarter-turn washerless ceramic disc valves.
- Pop-up drain with lift rod and tailpiece.
- Variety of handle style options.
- Standard aerator.
- 5-1/4" (133 mm) gooseneck spout.
- 0.5 gpm (1.9 lpm) maximum flow rate at 60 psi (4.14 bar).

Material

- Brass.
- Brass valve bodies.

Installation

- For 4" (102 mm) centers.

Required Products/Accessories

K-16012-2 Standard Handles for Widespread Base Faucet

or

K-16012-3 Cross Handles for Widespread Base Faucet

or

K-16012-4 Lever Handles for Widespread Base Faucet

or

K-16012-5 Wristblade Handles for Widespread Base Faucet

Recommended Products/Accessories

K-23726 Drain treatment

K-23723 Faucet cleaner



Codes/Standards

ASME A112.18.1/CSA B125.1

NSF/ANSI 61

NSF/ANSI 372

All applicable US Federal and State material regulations

DOE - Energy Policy Act 1992

California Energy Commission (CEC)

KOHLER® One-Year Limited Warranty

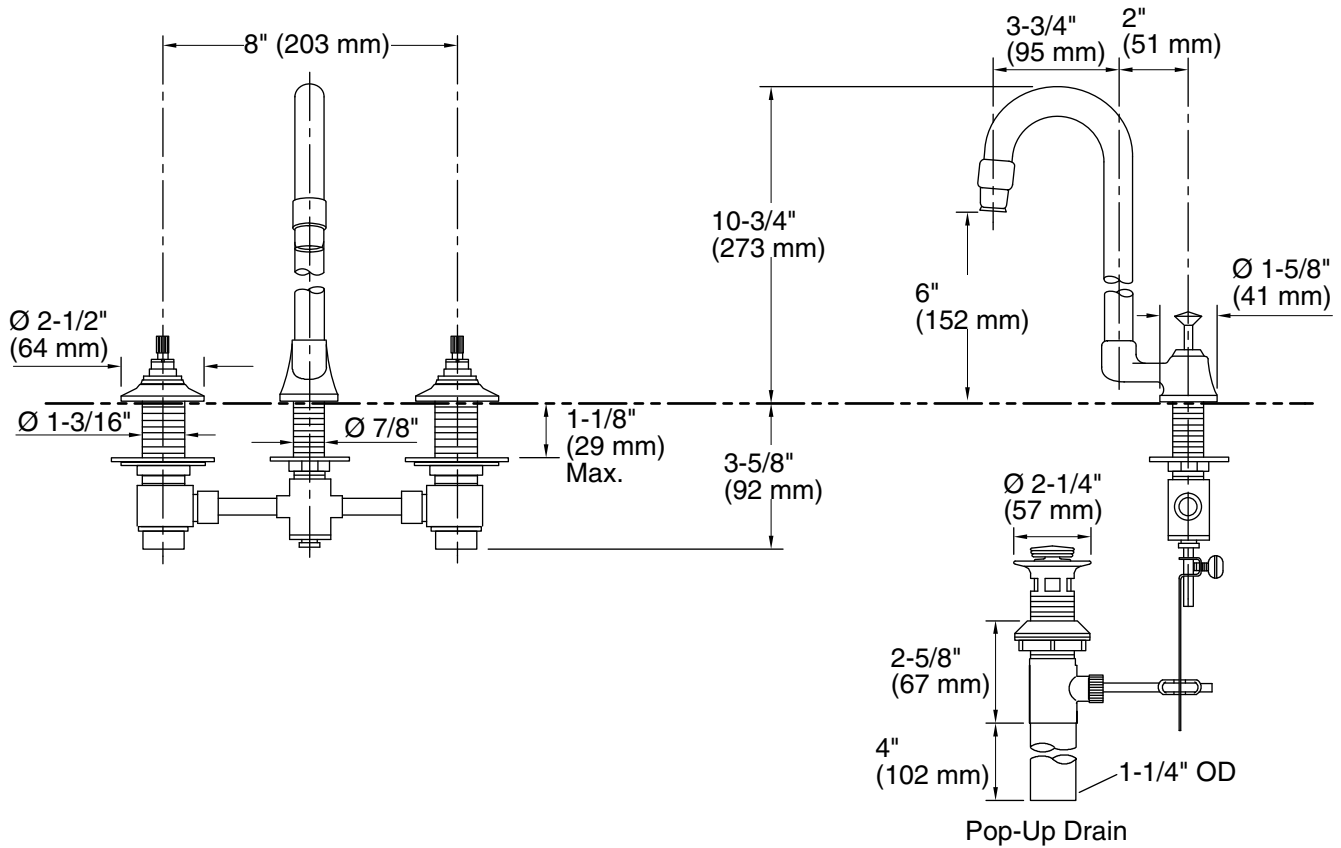
See website for detailed warranty information.

Available Colors/Finishes

Color tiles intended for reference only.

Color	Code	Description
-------	------	-------------

	CP	Polished Chrome
---	----	-----------------



Technical Information

All product dimensions are nominal.

Faucet:

Flow rate: 0.5 gal/min (1.9 l/min)

Pressure: 60 psi (4.1 bar)

Notes

Install this product according to the installation guide.