

Features

- Quarter-turn washerless ceramic disc valves.
- Pop-up drain with lift rod and tailpiece.
- Standard aerator.
- Variety of handle style options.
- 5-1/4" (133 mm) gooseneck spout.
- Lower flow aerator options are available.
- 8" (203 mm) to 16" (406 mm) centers.
- 0.5 gpm (1.9 lpm) maximum flow rate at 60 psi (4.14 bar).

Material

- Brass valve bodies.
- Brass.

Required Products/Accessories

K-16010-2 Standard Handles for Centerset Base Faucet

or

K-16010-3 Cross Handles for Centerset Base Faucet

or

K-16010-4 Lever Handles for Centerset Base Faucet

or

K-16010-5 Wristblade Lever Handles for Centerset Base Faucet

Recommended Products/Accessories

K-23726 Drain treatment

K-23723 Faucet cleaner

Optional Products/Accessories

1160595 .35 gpm Aerator, Medium



Codes/Standards

ASME A112.18.1/CSA B125.1

NSF/ANSI 61

NSF/ANSI 372

All applicable US Federal and State material regulations

DOE - Energy Policy Act 1992

California Energy Commission (CEC)

KOHLER® One-Year Limited Warranty

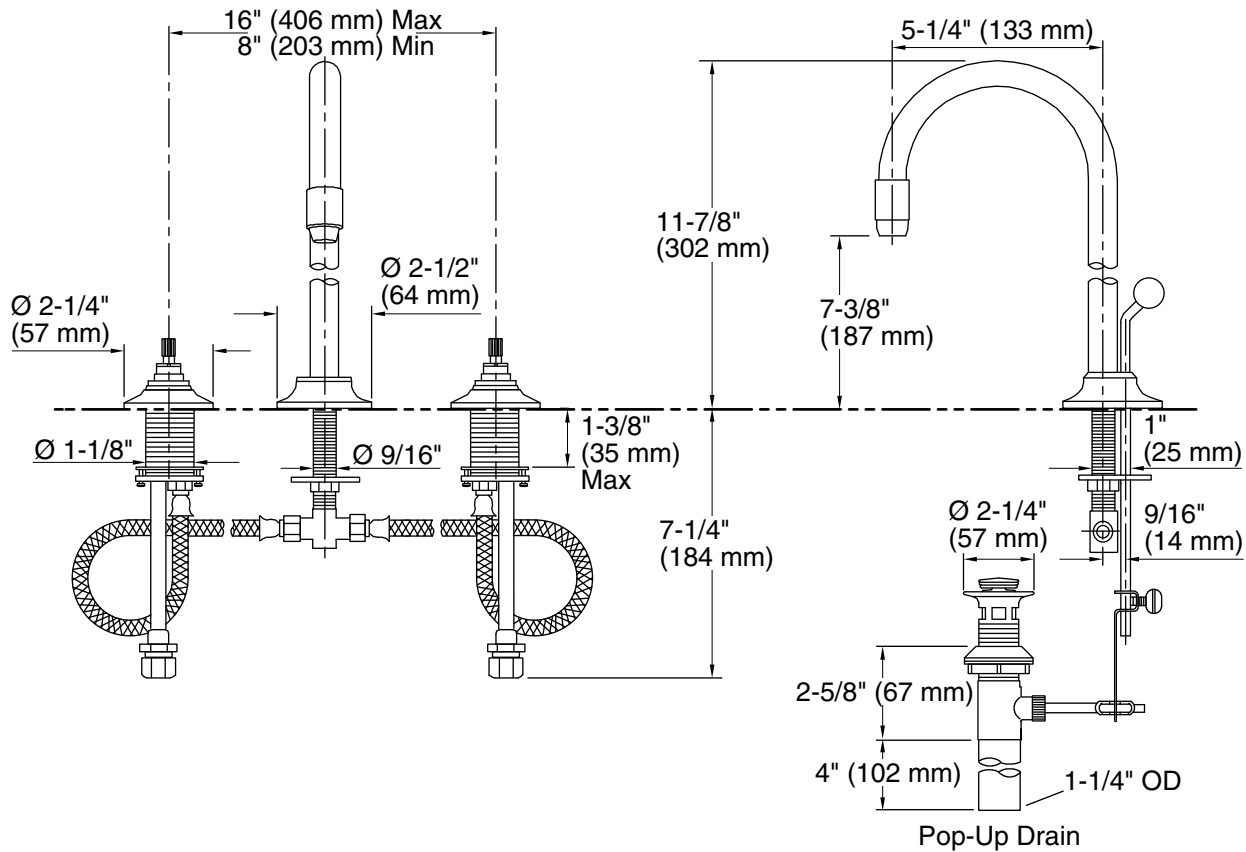
See website for detailed warranty information.

Available Colors/Finishes

Color tiles intended for reference only.

Color	Code	Description
-------	------	-------------

	CP	Polished Chrome
---	----	-----------------



Technical Information

All product dimensions are nominal.

Faucet:

Flow rate: 0.5 gal/min (1.9 l/min)

Pressure: 60 psi (4.1 bar)

Drain included: Yes

Spout:

Spout reach: 5-1/4" (133 mm)

Notes

Install this product according to the installation guide.