

### Features

- Brass construction.
- Brass valve bodies.
- Quarter-turn washerless ceramic disc valves.
- Variety of handle style options.
- 12" (305 mm) rigid connections.
- 5-1/4" (133 mm) gooseneck spout.
- Less drain.
- 2.2 gal/min (8.3 l/min) maximum flow rate [max at 60 psi (4.14 bar)].

### Required Products/Accessories

K-16012-2 Standard Handles for Widespread Base Faucet

or

K-16012-3 Cross Handles for Widespread Base Faucet

or

K-16012-4 Lever Handles for Widespread Base Faucet

or

K-16012-5 Wristblade Handles for Widespread Base Faucet

### Optional Products/Accessories

1160594 .35 gpm Aerator, Large



### Codes/Standards

ASME A112.18.1/CSA B125.1

NSF/ANSI 61

NSF/ANSI 372

All applicable US Federal and State material regulations

DOE - Energy Policy Act 1992

### KOHLER® One-Year Limited Warranty

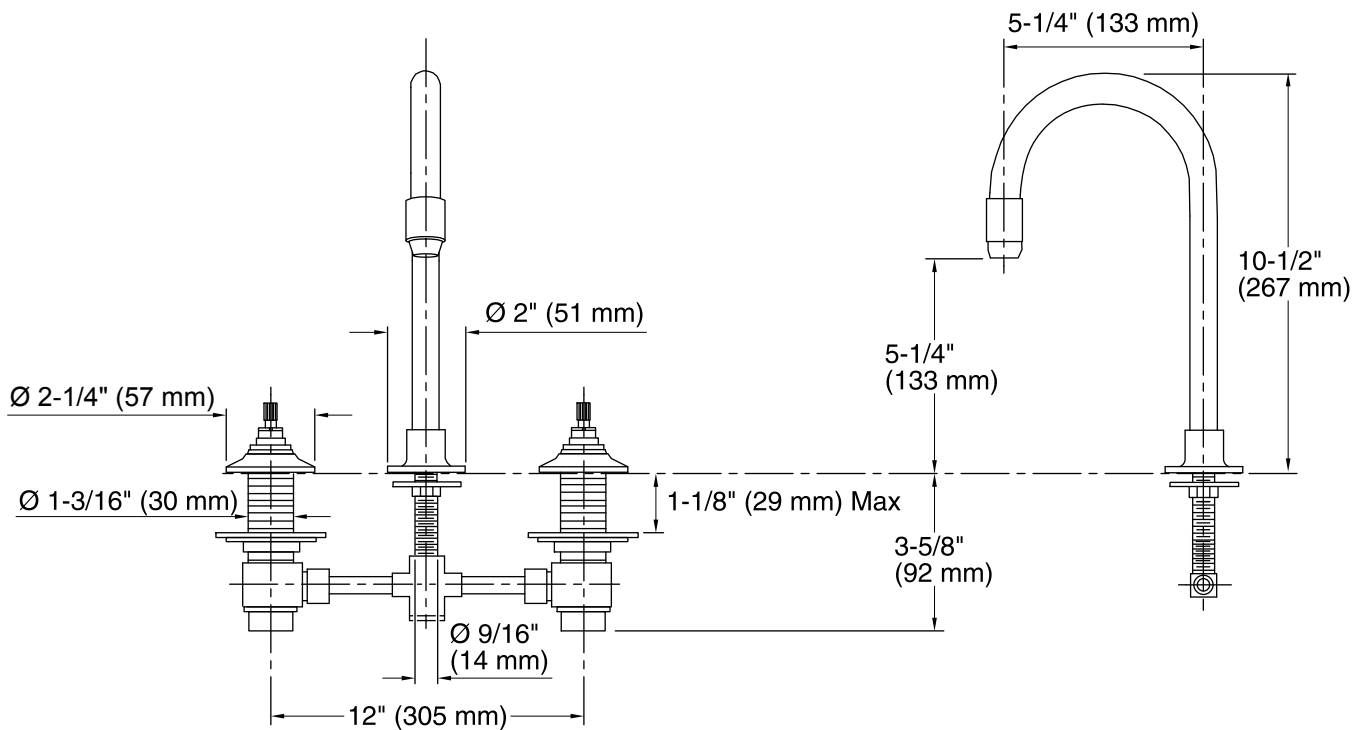
See website for detailed warranty information.

### Available Colors/Finishes

*Color tiles intended for reference only.*

Color	Code	Description
-------	------	-------------

	CP	Polished Chrome
--	----	-----------------



### Technical Information

All product dimensions are nominal.

#### Faucet:

Flow rate: 2.2 gal/min (8.3 l/min)

Pressure: 60 psi (4.1 bar)

#### Spout:

Spout reach: 5-1/4" (133 mm)

### Notes

Install this product according to the installation guide.