

### Features

- Single cylindrical handle allows for both volume and temperature control.
- Temperature memory allows faucet to be turned on and off at any temperature setting.
- Includes pop-up drain with 1-1/4" tailpiece.
- KOHLER ceramic disc valves exceed industry longevity standards for a lifetime of durable performance.
- 1.2 gal/min (4.5 l/min) maximum flow rate [max at 60 psi (4.1 bar)].
- 7-1/16" spout reach.
- 10-1/16" spout height.
- Ideal for vessel sink applications.
- Coordinates with Composed faucets, accessories, and showering components to complete your bathroom.

### Material

- Premium Metal Construction.
- KOHLER finishes resist corrosion and tarnishing.
- KOHLER finishes resist corrosion and tarnishing.

### Installation

- Single-hole mounting.
- Pre-attached flexible supply lines simplify installation.



ADA

### Codes/Standards



ASME A112.18.1/CSA B125.1  
NSF/ANSI 61  
NSF/ANSI 372  
All applicable US Federal and State material regulations  
DOE - Energy Policy Act 1992  
EPA WaterSense®  
California Energy Commission (CEC)  
ADA  
ICC/ANSI A117.1

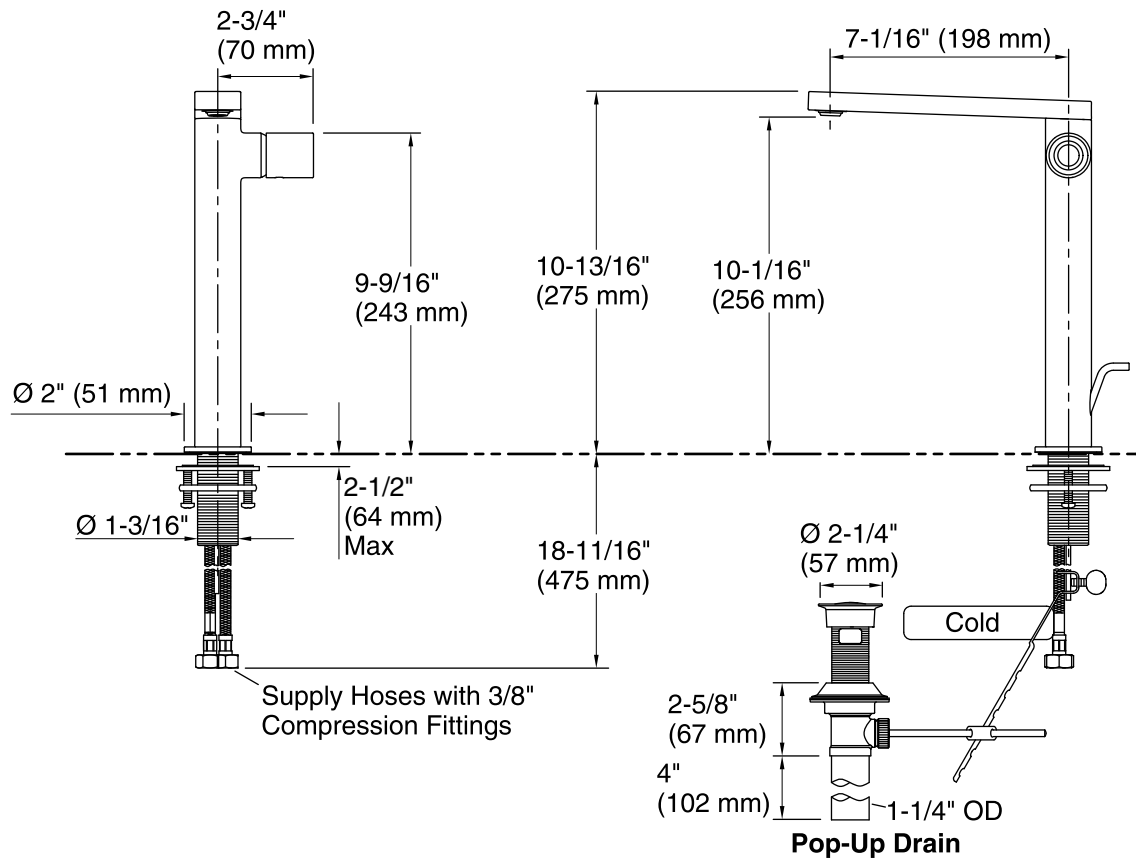
### KOHLER® Faucet Lifetime Limited Warranty

See website for detailed warranty information.

### Available Colors/Finishes

*Color tiles intended for reference only.*

Color	Code	Description
	CP	Polished Chrome
	TT	Titanium



### Technical Information

All product dimensions are nominal.

#### Faucet:

Flow rate:	1.2 gal/min (4.5 l/min)
Pressure:	60 psi (4.1 bar)
Valve body:	Cast brass
Drain with overflow:	Yes
Drain tailpiece included:	Yes

#### Spout:

Spout reach:	7-1/8" (181 mm)
--------------	-----------------

### Notes

Install this product according to the installation guide.

ADA compliant when installed to the specific requirements of these regulations.