

### Features

- Joystick handle allows for both on/off actuation and temperature setting.
- KOHLER ceramic disc valves exceed industry longevity standards over two times for a lifetime of durable performance.
- Temperature memory allows faucet to be turned on and off at any temperature setting.
- Pair with Composed faucets, accessories and showering components to coordinate a full bathroom.
- 1.2 gal/min (4.5 l/min) maximum flow rate [max at 60 psi (4.1 bar)]

### Material

- Premium metal construction.
- KOHLER finishes resist corrosion and tarnishing.

### Installation

- Flexible supply connections for easy installation.
- Single-hole mounting.
- Not for use on sinks with centerset drillings.
- Tall-height for vessel sink applications.



ADA CSA B651 OBC

### Codes/Standards

ASME A112.18.1/CSA B125.1  
NSF/ANSI 61  
NSF/ANSI 372  
All applicable US Federal and State material regulations  
DOE - Energy Policy Act 1992  
EPA WaterSense®  
California Energy Commission (CEC)  
ADA  
ICC/ANSI A117.1  
CSA B651  
OBC



### KOHLER® Faucet Lifetime Limited Warranty

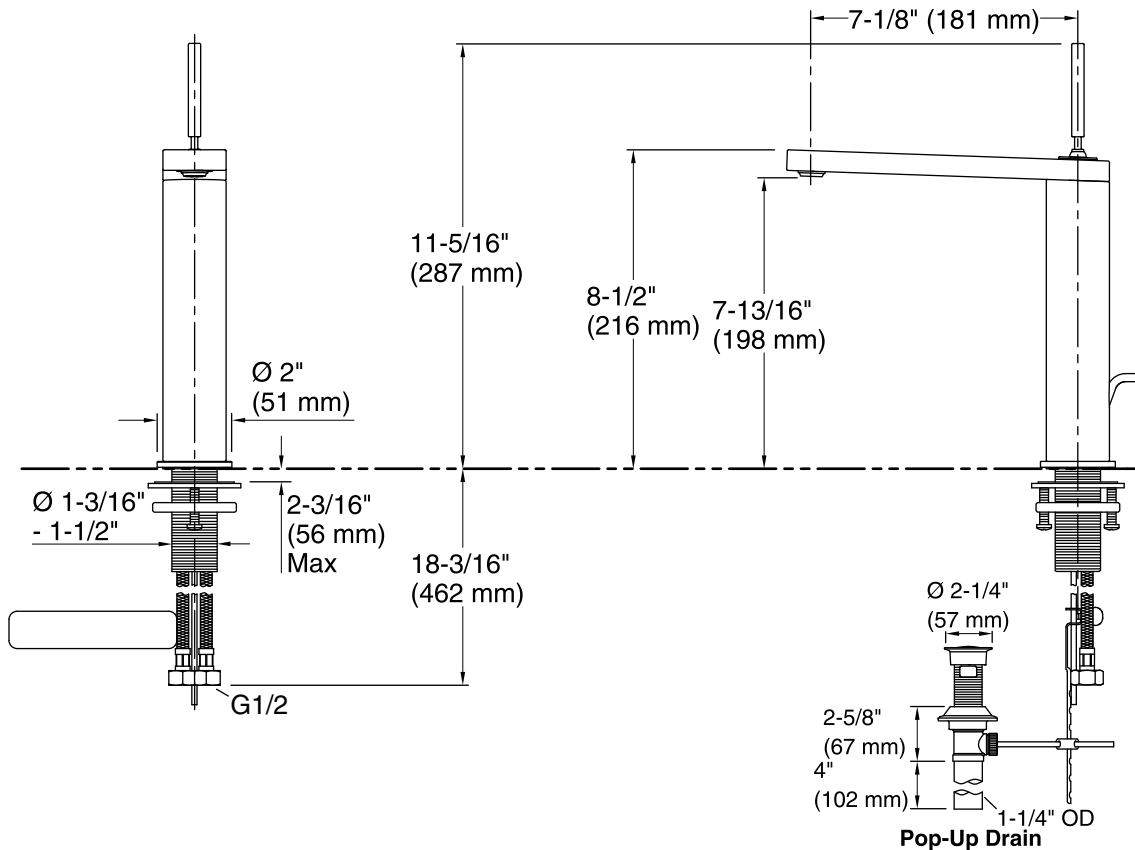
See website for detailed warranty information.

### Available Colors/Finishes

*Color tiles intended for reference only.*

#### Color Code Description

	CP	Polished Chrome
	TT	Titanium



### Technical Information

All product dimensions are nominal.

#### Faucet:

Flow rate: 1.2 gal/min (4.5 l/min)

Pressure: 60 psi (4.1 bar)

Valve body: Cast brass

Drain with overflow: Yes

Drain tailpiece included: Yes

#### Spout:

Spout reach: 7-1/8" (181 mm)

### Notes

Install this product according to the installation guide.

ADA, OBC, CSA B651 compliant when installed to the specific requirements of these regulations.