

### Features

- Quarter-turn washerless ceramic disc valves.
- 8" (203 mm) rigid connections.
- Variety of handle style options.
- 5-1/4" (133 mm) gooseneck spout.
- Less drain.
- Standard aerator.
- 0.5 gpm (1.9 lpm) maximum flow rate at 60 psi (4.14 bar).

### Material

- Brass.
- Brass valve bodies.

### Required Products/Accessories

- K-16012-2 Standard Handles for Widespread Base Faucet
- or
- K-16012-3 Cross Handles for Widespread Base Faucet
- or
- K-16012-4 Lever Handles for Widespread Base Faucet
- or
- K-16012-5 Wristblade Handles for Widespread Base Faucet

### Recommended Products/Accessories

- K-23723 Faucet cleaner



### Codes/Standards


- ASME A112.18.1/CSA B125.1
- NSF/ANSI 61
- NSF/ANSI 372
- All applicable US Federal and State material regulations
- DOE - Energy Policy Act 1992
- California Energy Commission (CEC)

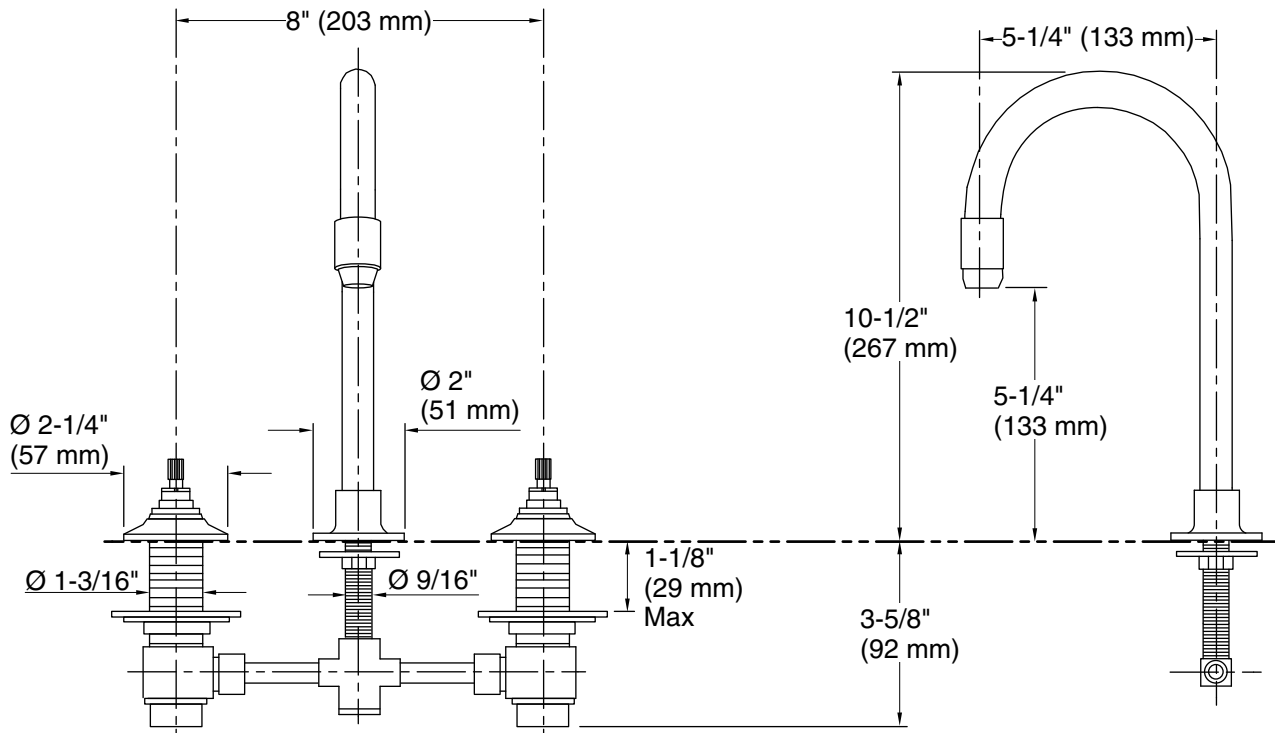
### KOHLER® One-Year Limited Warranty

See website for detailed warranty information.

### Available Colors/Finishes

*Color tiles intended for reference only.*

Color	Code	Description
	CP	Polished Chrome



### Technical Information

All product dimensions are nominal.

#### Faucet:

Flow rate: 0.5 gal/min (1.9 l/min)

Pressure: 60 psi (4.1 bar)

#### Spout:

Spout reach: 5-1/4" (133 mm)

### Notes

Install this product according to the installation guide.