

Features

- Quarter-turn washerless ceramic disc valves.
- 8" (203 mm) rigid connections.
- Variety of handle style options.
- 5-1/4" (133 mm) gooseneck spout.
- Less drain.
- Vandal-resistant aerator.
- 0.5 gpm (1.9 lpm) maximum flow rate at 60 psi (4.14 bar).

Material

- Brass.
- Brass valve bodies.

Required Products/Accessories

- K-16012-2 Standard Handles for Widespread Base Faucet
- or
- K-16012-3 Cross Handles for Widespread Base Faucet
- or
- K-16012-4 Lever Handles for Widespread Base Faucet
- or
- K-16012-5 Wristblade Handles for Widespread Base Faucet

Recommended Products/Accessories

- K-23723 Faucet cleaner



Codes/Standards

- ASME A112.18.1/CSA B125.1
- NSF/ANSI 61
- NSF/ANSI 372
- All applicable US Federal and State material regulations
- DOE - Energy Policy Act 1992
- California Energy Commission (CEC)

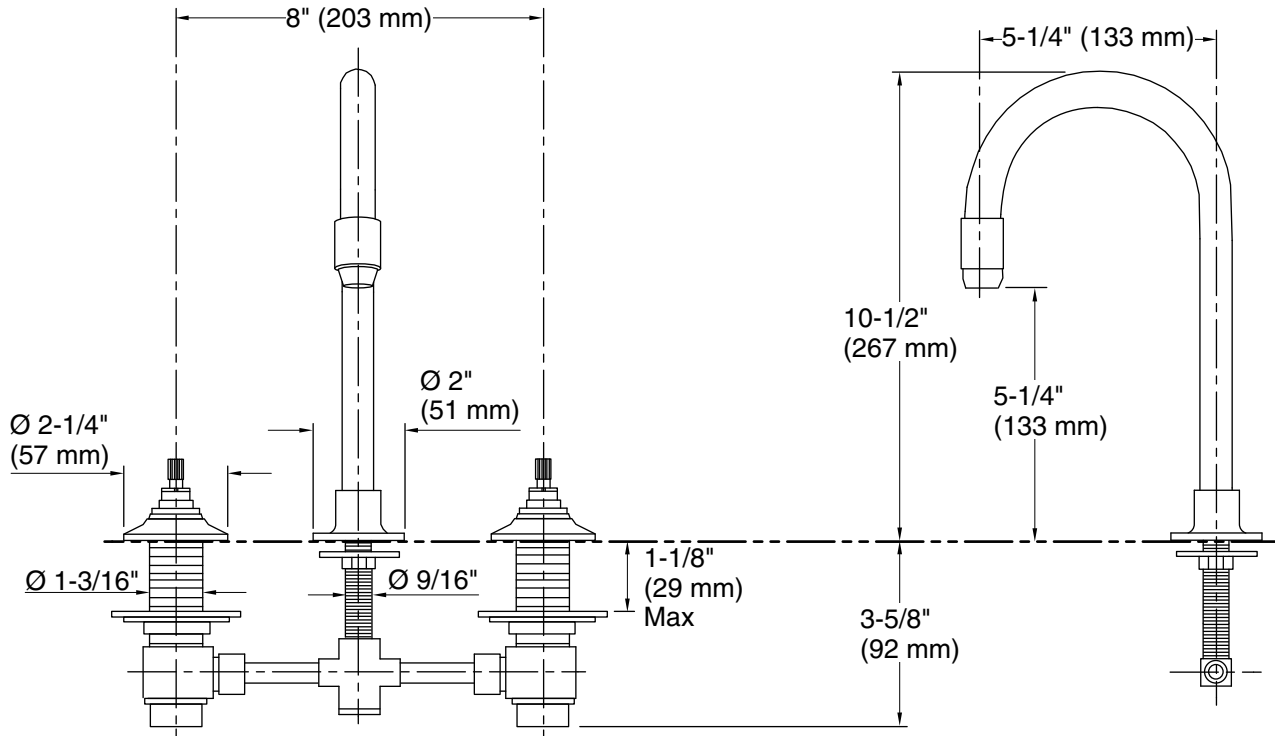
KOHLER® One-Year Limited Warranty

See website for detailed warranty information.

Available Colors/Finishes

Color tiles intended for reference only.

| Color | Code | Description |
|---|------|-----------------|
|  | CP | Polished Chrome |



Technical Information

All product dimensions are nominal.

Faucet:

Flow rate: 0.5 gal/min (1.9 l/min)

Pressure: 60 psi (4.1 bar)

Spout:

Spout reach: 5-1/4" (133 mm)

Notes

Install this product according to the installation guide.