

## Features

- Brass construction.
- Brass valve bodies.
- Quarter-turn washerless ceramic disc valves.
- 8" (203 mm) rigid connections.
- Variety of handle style options.
- 5-1/4" (133 mm) gooseneck spout.
- Less drain.
- Vandal-resistant aerator.
- 2.0 gal/min (7.6 l/min) maximum flow rate [max at 60 psi (4.14 bar)].

## Required Products/Accessories

- K-16012-2 Standard Handles for Widespread Base Faucet
- **or**
- K-16012-3 Cross Handles for Widespread Base Faucet
- **or**
- K-16012-4 Lever Handles for Widespread Base Faucet
- **or**
- K-16012-5 Wristblade Handles for Widespread Base Faucet



## Codes/Standards

- ASME A112.18.1/CSA B125.1
- NSF/ANSI 61
- NSF/ANSI 372
- All applicable US Federal and State material regulations
- DOE - Energy Policy Act 1992

## KOHLER® Faucet Lifetime Limited Warranty

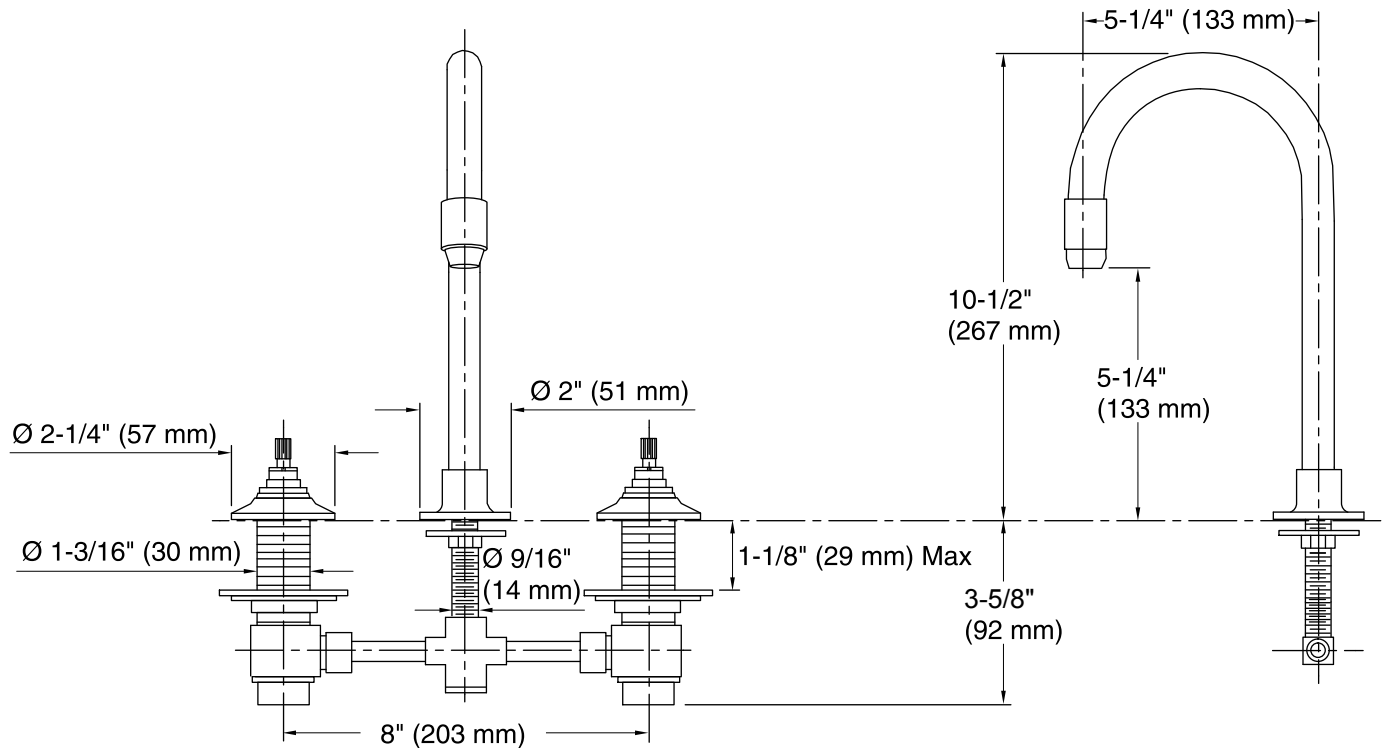
See website for detailed warranty information.

## Available Colors/Finishes

*Color tiles intended for reference only.*

Color	Code	Description
-------	------	-------------

	CP	Polished Chrome
--	----	-----------------



### Technical Information

All product dimensions are nominal.

#### Faucet:

Flow rate: 2 gal/min (7.6 l/min)

Pressure: 60 psi (4.1 bar)

#### Spout:

Spout reach: 5-1/4" (133 mm)

### Notes

Install this product according to the installation guide.