

### Features

- CleanCoat®+ technology creates a protective barrier that repels water, prevents dirt and minerals from collecting, and makes it easier to remove hard water spots.
- Reversible top track offers a choice of curved or flat profile.

### Material

- Frameless, 1/4" (6 mm) thick Crystal Clear tempered glass.

### Technology

- Improved bypassing mechanism for smoother feel.
- Solid-metal contemporary towel bar design.

### Installation

- Out-of-plumb adjustability simplifies installation.
- Sliding shower door.
- Not for use in hospitality.

### Recommended Products/Accessories

K-23723 Faucet cleaner

### Included Components

Additional Components:

Hardware kit



### Codes/Standards

CPSC 16CFR 1201

### KOHLER® One-Year Limited Warranty

See website for detailed warranty information.

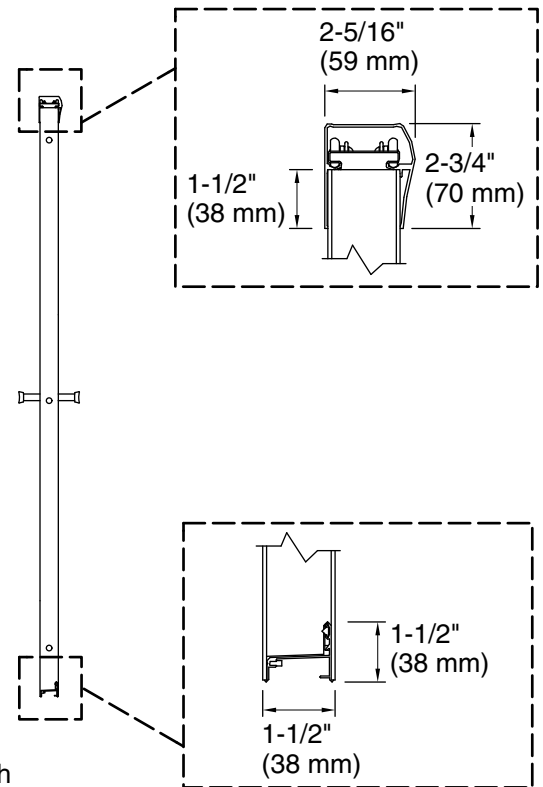
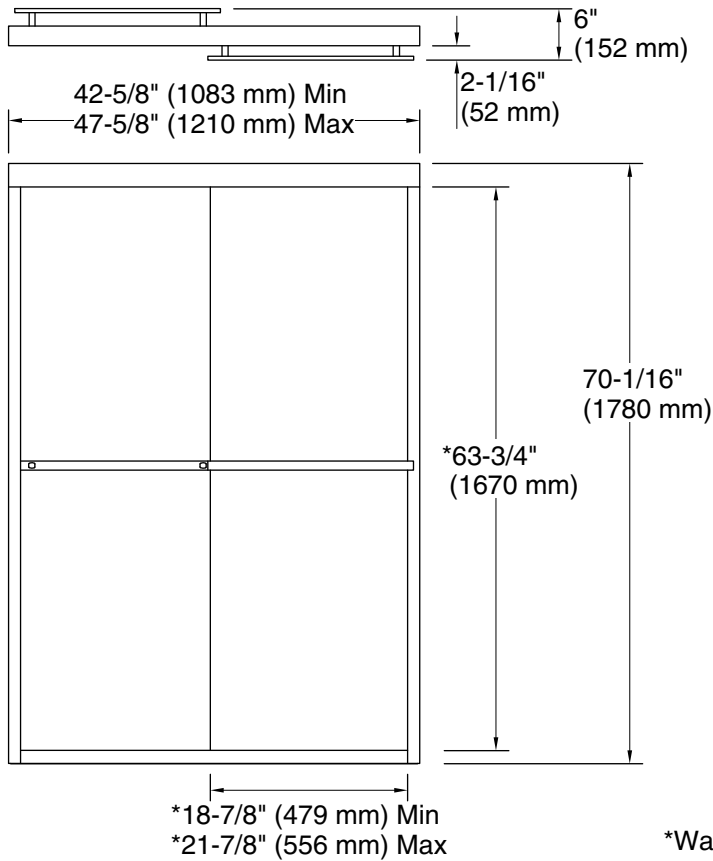
### Available Colors/Finishes

*Color tiles intended for reference only.*

Color	Code	Description
	SHP	Bright Polished Silver
	MX	Matte Nickel
	ABZ	Anodized Dark Bronze

### Available Glass Options

Code	Description
L	Crystal Clear



### Technical Information

All product dimensions are nominal.

Installation type:	For shower base installation
Opening style:	Sliding/Bypass
Opening Width - Min:	42-5/8" (1083 mm)
Opening Width - Max:	47-5/8" (1210 mm)
Walk-through - Min:	18-7/8" (479 mm)
Walk-through - Max:	21-7/8" (556 mm)
Base-To-Wall Radius - Max:	5/8" (16 mm)
Glass thickness:	1/4" (6 mm)
Glass coating:	CleanCoat®

### Notes

Install this product according to the installation instructions.

The vertical opening should be a minimum of 71-13/16" (1824 mm) to allow for installation clearance.