

### Features

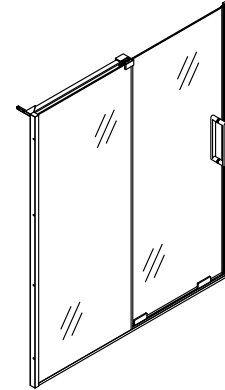
- 71-3/4" (1822 mm) high, with no minimum head clearance restriction.
- Frameless design emphasizes glass and creates a sleek, minimalist look.
- Innovative L- bracket secures the fixed panel in place and gives it a sturdy feel while also being unobtrusive to the showering space.
- SealNetik™ full-length magnetic seal keeps door firmly closed, providing excellent water containment.
- Smooth, easy-to-clean wall jambs.
- Back-to-back 11-1/2" (292 mm) vertical handles.
- CleanCoat®+ glass coating creates a hydrophobic barrier that repels water, soap scum, and residue, saving time and protecting shower doors 10 times longer than original CleanCoat. (Based on 2021 internal wear/abrasion testing using a microfiber cloth.)

### Material

- Frameless, 5/16" (8mm) thick Crystal Clear tempered glass.
- Anodized aluminum prevents rust and corrosion.

### Installation

- Fits opening widths 55-3/4" – 59-3/4" (1416 – 1518 mm).
- Requires 1-3/4" (44.5 mm) minimum threshold depth.
- Requires minimum of 5-1/2" (140 mm) flat wall on fixed-panel side to mount L-bracket.
- 3/8" (10-mm) out-of-plumb adjustability on each side simplifies installation.
- Door can be installed to open to the left or right to suit your bathroom layout.
- Not for use in hospitality.
- For residential use only.



### Codes/Standards

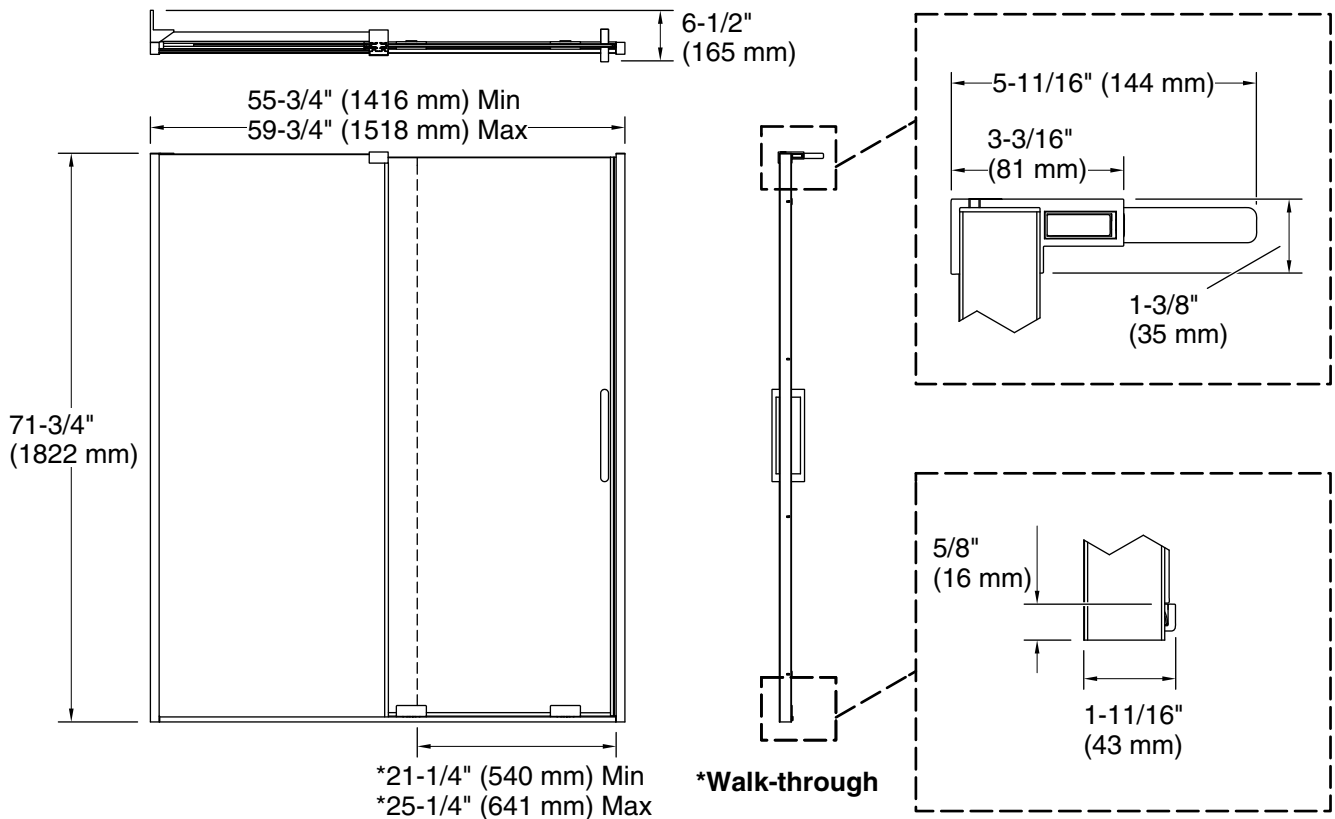
ANSI Z97.1  
CPSC 16CFR 1201

### KOHLER® One-Year Limited Warranty

See website for detailed warranty information.

### Available Glass Options

Code	Description
L	Crystal Clear



## Technical Information

All product dimensions are nominal.

Installation type: For shower base installation

Opening Width - Min: 55-3/4" (1416 mm)

Opening Width - Max: 59-3/4" (1518 mm)

Walk-through - Min: 21-1/4" (540 mm)

Walk-through - Max: 25-1/4" (641 mm)

Base-To-Wall Radius - Max: 1/4" (6 mm)

Glass thickness: 5/16" (8 mm)

Glass coating: CleanCoat+

## Notes

The vertical opening should be a minimum of 73-1/8" (1857 mm) to allow for installation clearance.