

### Features

- Frameless design emphasizes glass and creates a sleek, minimalist look.
- Vertical handle with inside knob on moving panel.
- Gently-curved towel bar provides integrated storage on fixed panel.
- Tempered glass ensures maximum safety and durability.
- CleanCoat® technology creates a protective barrier that repels water, prevents dirt and minerals from collecting, and makes it easier to remove hard water spots.
- Smooth, easy-to-clean wall jambs.
- Full-length moving panel seal provides excellent water containment.
- Coordinates with other items in the Elate collection.

### Material

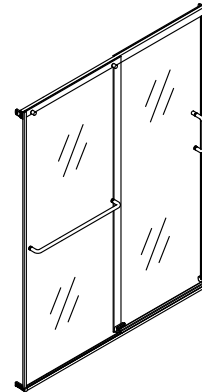
- Frameless, heavy 5/16" (8 mm) thick Frosted tempered glass with rectangular grille pattern.
- Anodized aluminum prevents rust and corrosion.

### Installation

- Shower door is 75-1/2" (1918 mm) tall, with a lofty 72-11/16" (1846 mm) of walk-through height.
- 3-3/8" (86 mm) width adjustment.
- Fits opening widths 50-1/4" - 53-5/8" (1276 - 1362 mm).
- Out-of-plumb adjustability simplifies installation.
- Door can be installed to open to the left or right to suit your bathroom layout.
- For residential use only.
- Not for use in hospitality.

### Recommended Products/Accessories

K-23723 Faucet cleaner



### Codes/Standards

ANSI Z97.1  
CPSC 16CFR 1201

### KOHLER® One-Year Limited Warranty

See website for detailed warranty information.

### Available Colors/Finishes

*Color tiles intended for reference only.*

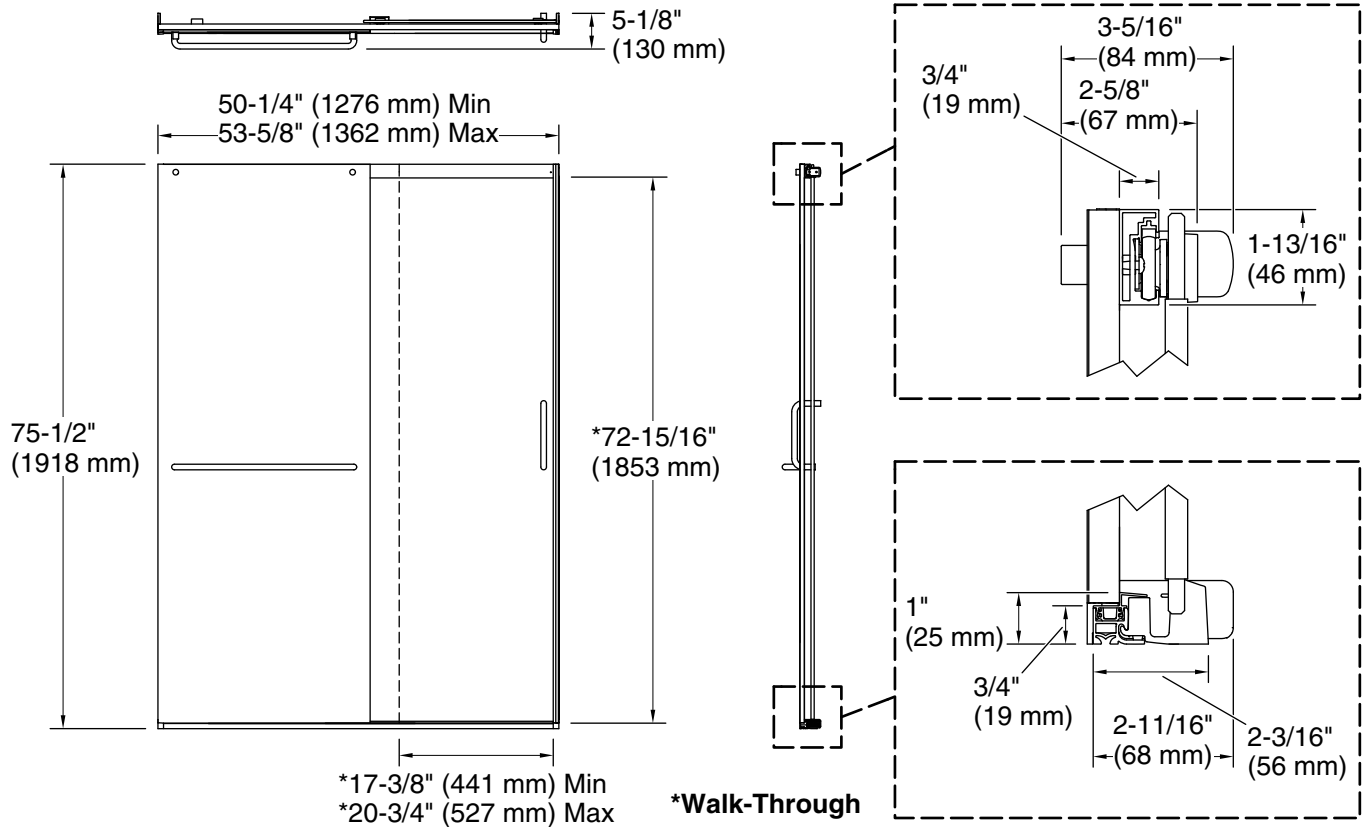
Color	Code	Description
-------	------	-------------

■	BL	Matte Black
---	----	-------------

### Available Glass Options

Code	Description
------	-------------

G80	Frosted with Rectangular Grille Pattern
-----	---



### Technical Information

All product dimensions are nominal.

Installation type:	For shower base installation
Opening Width - Min:	50-1/4" (1276 mm)
Opening Width - Max:	53-5/8" (1362 mm)
Walk-through - Min:	17-3/8" (441 mm)
Walk-through - Max:	20-3/4" (527 mm)
Base-To-Wall Radius - Max:	1/2" (13 mm)
Glass thickness:	5/16" (8 mm)
Glass coating:	CleanCoat®

### Notes

Install this product according to the installation instructions.

The vertical opening should be a minimum of 78-13/16" (2002 mm) to allow for installation clearance.