

### Features

- Cushioned center guide provides smooth, quiet sliding action.

### Material

- Frameless, 5/16" thick (8mm) Crystal Clear tempered glass.

### Technology

- Innovative roller design simplifies installation and provides out-of-plumb adjustability while glass is installed.
- Gently curved towel bars and knob combination offers storage without encroaching on the bathing space.
- CleanCoat® nanotechnology provides a smooth, nonstick surface to help prevent buildup of water stains, bacteria and mildew on your glass, to make it easy to clean and keep it looking like new.

### Installation

- Sliding shower door.
- Not for use in hospitality.
- For residential use only.

### Included Components

Additional Components:  
Hardware kit



### Codes/Standards



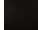
ANSI Z97.1  
CPSC 16CFR 1201

### KOHLER® One-Year Limited Warranty

See website for detailed warranty information.

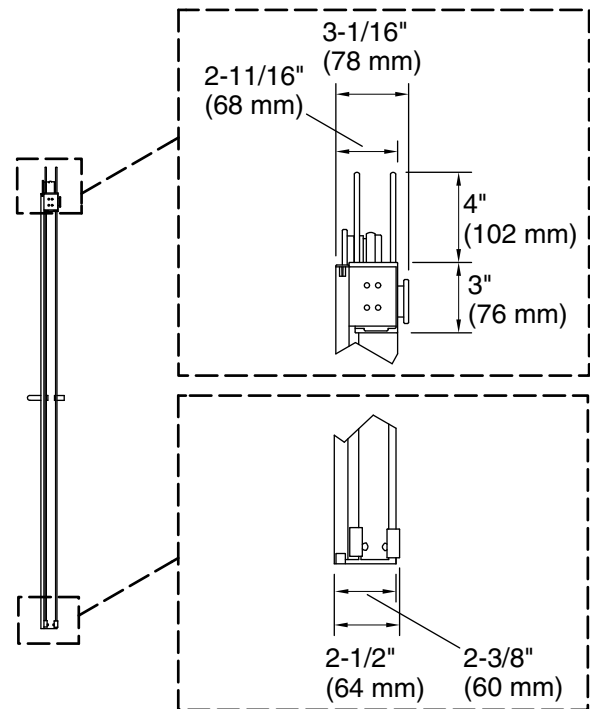
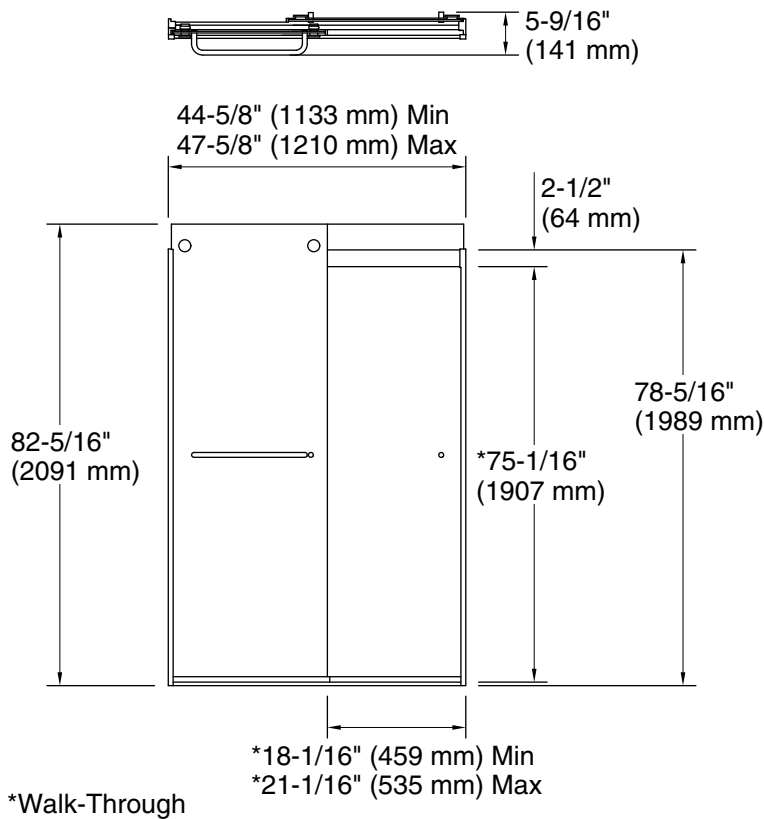
### Available Colors/Finishes

*Color tiles intended for reference only.*

Color	Code	Description
	SHP	Bright Polished Silver
	NX	Brushed Nickel
	ABZ	Anodized Dark Bronze

### Available Glass Options

Code	Description
L	Crystal Clear



### Technical Information

All product dimensions are nominal.

Installation type: For shower base installation

Opening style: Sliding/Bypass

Opening Width - Min: 44-5/8" (1133 mm)

Opening Width - Max: 47-5/8" (1210 mm)

Walk-through - Min: 18-1/16" (459 mm)

Walk-through - Max: 21-1/16" (535 mm)

Base-To-Wall Radius 1/2" (13 mm)

– Max:

Glass thickness: 5/16" (8 mm)

Glass coating: CleanCoat®

### Notes

Install this product according to the installation instructions.

The vertical opening should be a minimum of 84-1/2" (2146 mm) to allow for installation clearance.