



Pinstripe®
 Frameless Pivot Shower Door
K-705718-L

Technology

- Frameless, 1/2-inch-thick Crystal Clear tempered glass.
- Includes sidelite panel.
- Stainless-steel and brass fasteners prevent rusting or corrosion.
- CleanCoat® nanotechnology helps prevent bacteria, mildew and water stains on your glass, making it easy to clean and looking new.
- Out-of-plumb adjustability for easy installation.
- Can be installed to open to the left or right.
- Includes K-705755 glass, K-705768 handle, and K-705763 hardware components.
- Coordinates with Pinstripe faucets and accessories.

Installation

- Not for use in hospitality.
- For residential use only.

Included Components

Product consists of:
 K-705755-L Glass Panel and Sidelite
 K-705763 Shower Door Assembly Kit
 K-705768 Shower Door Handles



Codes/Standards

CPSC 16CFR 1201
 ANSI Z97.1

KOHLER® One-Year Limited Warranty

See website for detailed warranty information.

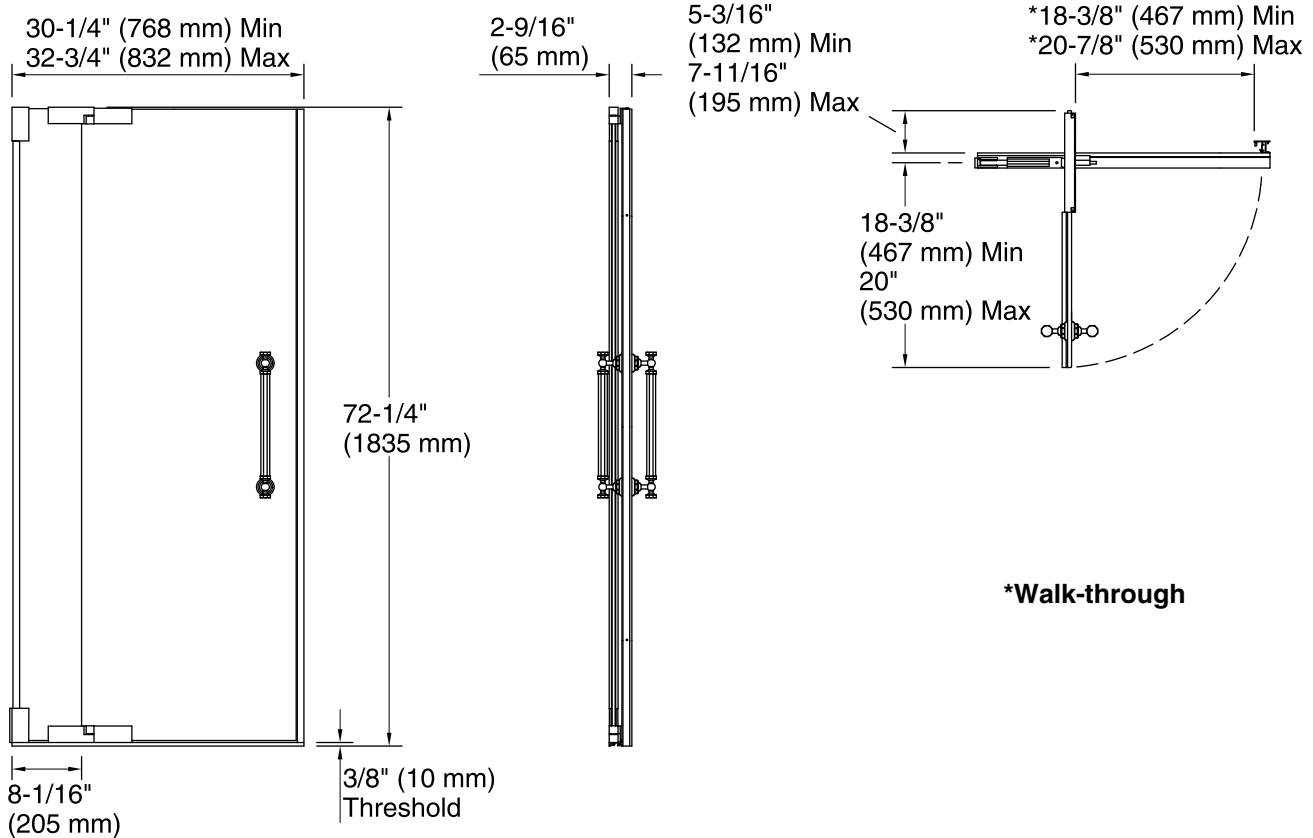
Available Colors/Finishes

Color tiles intended for reference only.

Color	Code	Description
	SHP	
	NX	
	ABV	

Available Glass Options

Code	Description
L	Crystal Clear



Technical Information

All product dimensions are nominal.

Installation type:	For shower base installation
Opening style:	Pivot
Opening Width - Min:	30-1/4" (768 mm)
Opening Width - Max:	32-3/4" (832 mm)
Walk-through - Min:	18-3/8" (467 mm)
Walk-through - Max:	20-7/8" (530 mm)
Glass thickness:	1/2" (13 mm)
Glass coating:	CleanCoat®

Notes

Install this product according to the installation guide.

The vertical opening should be a minimum of 74-1/4" (1886 mm) to allow for installation clearance.