

### Technology

- Frameless, 3/8-inch-thick Crystal Clear tempered glass.
- CleanCoat® nanotechnology helps prevent bacteria, mildew and water stains on your glass, making it easy to clean and looking new.
- Out-of-plumb adjustability for easy installation.
- Can be installed to open to the left or right.
- Includes K-705749 glass, K-705768 handle, and K-705763 hardware components.
- Coordinates with Pinstripe faucets and accessories.

### Installation

- Not for use in hospitality.
- For residential use only.

### Included Components

Product consists of:

- K-705749-L Glass Panel and Sidelite
- K-705763 Shower Door Assembly Kit
- K-705768 Shower Door Handles



### Codes/Standards

CPSC 16CFR 1201  
ANSI Z97.1

### KOHLER® One-Year Limited Warranty

See website for detailed warranty information.

### Available Colors/Finishes

*Color tiles intended for reference only.*

| Color | Code | Description |
|-------|------|-------------|
|-------|------|-------------|

|  |     |  |
|--|-----|--|
|  | SHP |  |
|--|-----|--|

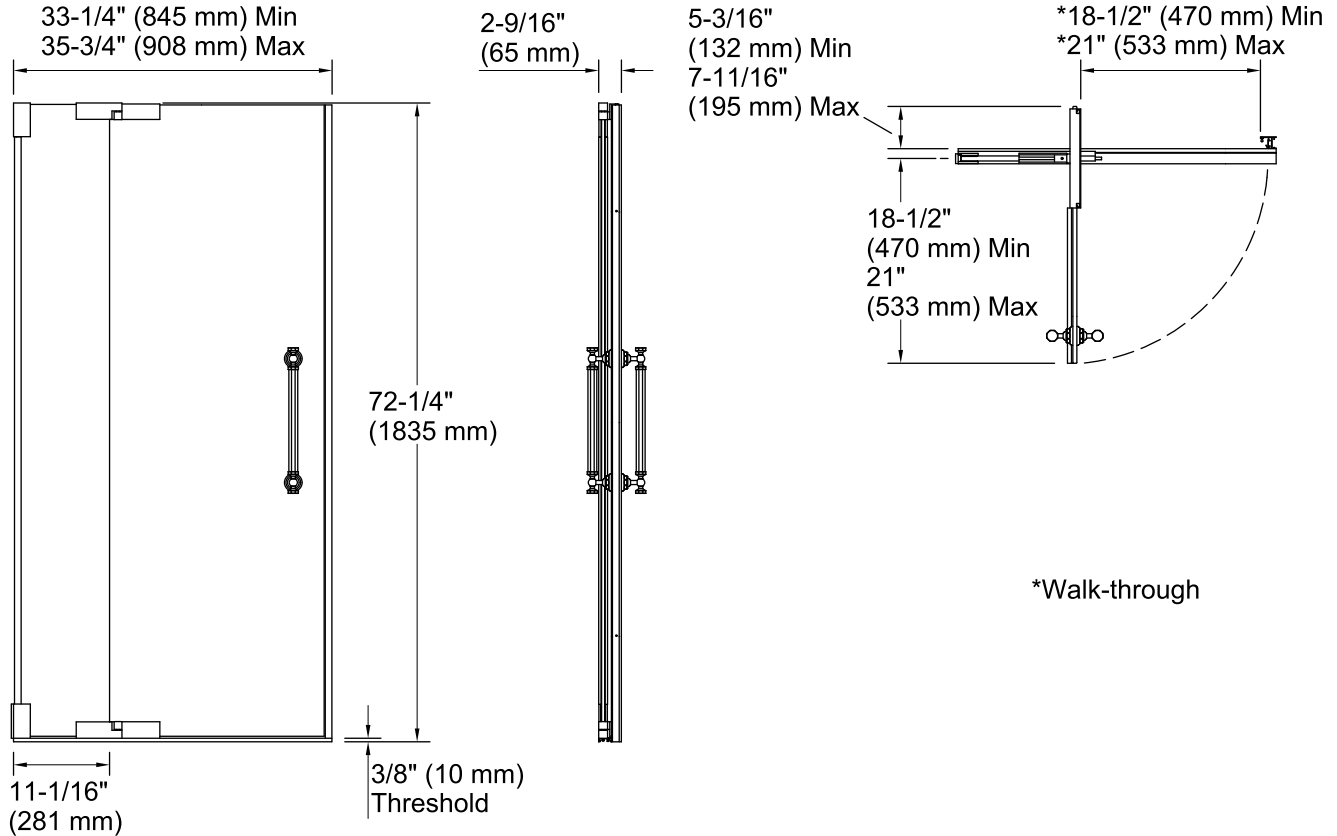
|  |    |  |
|--|----|--|
|  | NX |  |
|--|----|--|

|  |     |  |
|--|-----|--|
|  | ABV |  |
|--|-----|--|

### Available Glass Options

| Code | Description |
|------|-------------|
|------|-------------|

|   |               |
|---|---------------|
| L | Crystal Clear |
|---|---------------|



### Technical Information

All product dimensions are nominal.

|                      |                              |
|----------------------|------------------------------|
| Installation type:   | For shower base installation |
| Opening style:       | Pivot                        |
| Opening Width - Min: | 33-1/4" (845 mm)             |
| Opening Width - Max: | 35-3/4" (908 mm)             |
| Walk-through - Min:  | 18-1/2" (470 mm)             |
| Walk-through - Max:  | 21" (533 mm)                 |
| Glass thickness:     | 3/8" (10 mm)                 |
| Glass coating:       | CleanCoat®                   |

### Notes

Install this product according to the installation guide.

The vertical opening should be a minimum of 74-1/4" (1886 mm) to allow for installation clearance.