

Features

- Premium stainless steel hinge design allows for effortless opening and closing of the pivot panel
- Controlled Close® innovative soft-close with spring-dampening technology eliminates slamming and brings door to a secure close
- Frameless design emphasizes glass and creates a sleek, minimalist look
- Back-to-back 15-1/8" (384 mm) vertical handles
- Tempered glass ensures enhanced safety and durability
- CleanCoat®+ glass coating creates a hydrophobic barrier that repels water, soap scum, and residue, saving time and protecting shower doors 10 times longer than original CleanCoat. (Based on 2021 internal wear/abrasion testing using a microfiber cloth.)
- SealNetik™ full-length magnetic seal keeps door firmly closed, providing excellent water containment
- Smooth, easy-to-clean wall jambs
- Pivot shower door configuration consists of one moving panel and one stationary panel
- Coordinates with other products in the Premise™ collection

Material

- Frameless, heavy 5/16" (8 mm) thick Crystal Clear tempered glass with frosted privacy band
- Anodized aluminum prevents rust and corrosion

Installation

- Fits opening widths 31-5/8" – 35-5/8" (803 – 905 mm)
- 76-1/16" (1932 mm) high, with a lofty 74-7/16" (1891 mm) minimum head clearance
- 4" (102 mm) width adjustment
- 3/8" (10-mm) out-of-plumb adjustability on each side simplifies installation
- Door can be installed to open to the left or right to suit your bathroom layout
- For residential use only
- Not for use in hospitality



Codes/Standards

ANSI Z97.1
CAN/CGSB-12.1
CPSC 16CFR 1201

KOHLER® Bath and Shower Doors Ten-Year Limited Warranty

See website for detailed warranty information.

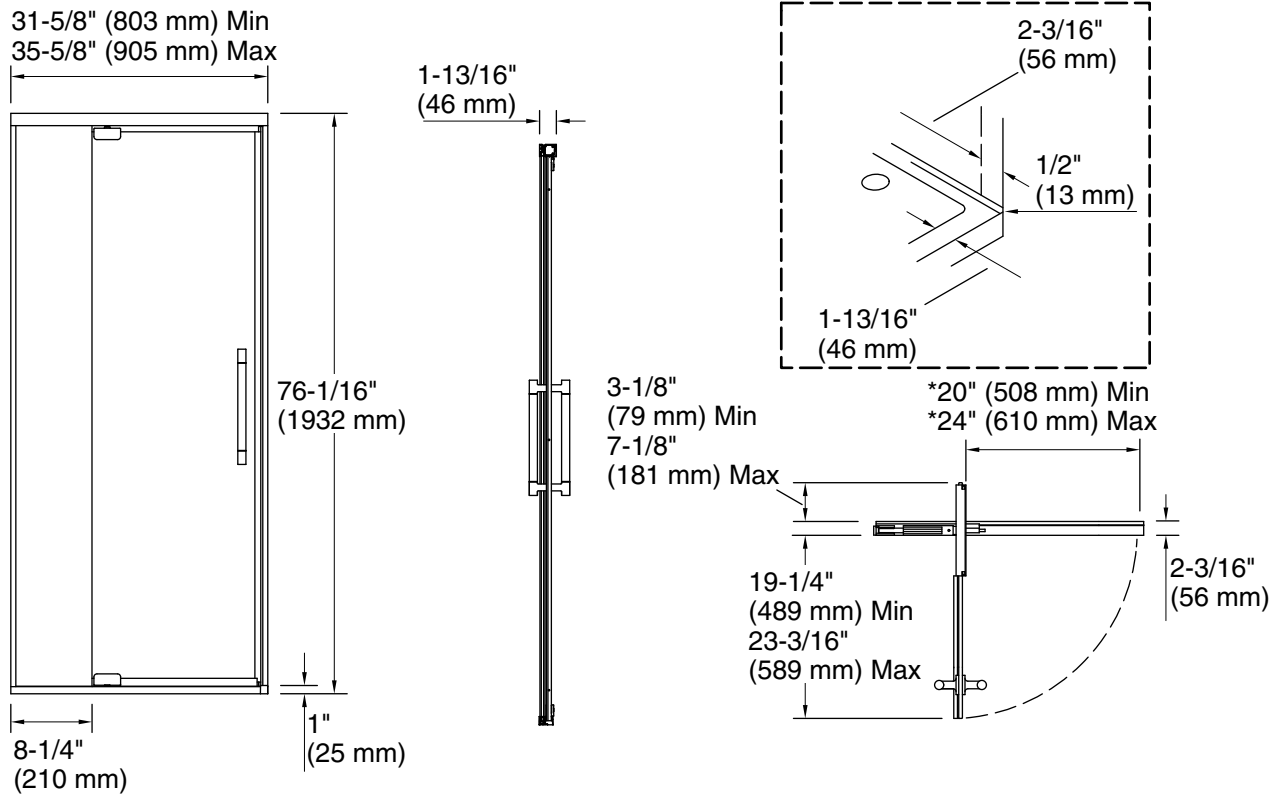
Available Colors/Finishes

Color tiles intended for reference only.

Color	Code	Description
	SHP	Bright Polished Silver
	BL	Matte Black
	2MB	Vibrant® Brushed Moderne Brass
	BNK	Anodized Brushed Nickel

Available Glass Options

Code	Description
G81	Crystal Clear with Frosted Privacy Band



Technical Information

All product dimensions are nominal.

Base-To-Wall	1/2" (13 mm)
Radius – Max:	
Shower Ledge Min	1-3/4" (44 mm)
Flat:	
Shower Wall Min	2-3/16" (56 mm)
Flat:	

Notes

Install this product according to the installation guide.

The vertical opening should be a minimum of 79" (2007 mm) to allow for installation clearance.