

Features

- 1/4" (6 mm) thick Crystal Clear tempered glass.
- Frameless design emphasizes glass and creates a sleek, minimalist look.
- Smooth, quiet operation.
- Gently curved inside and outside towel bars complete the look of this door.
- CleanCoat® nanotechnology provides a smooth, nonstick surface to help prevent buildup of water stains, bacteria and mildew on your glass, to make it easy to clean and keep it looking like new.

Material

- Tempered glass ensures maximum safety and durability.
- Anodized aluminum hardware prevents rusting or corrosion.

Installation

- Fits opening widths 44-1/2" - 47-1/2" (1130 mm –1207 mm).
- 3/8" (10 mm) out-of-plumb adjustability per side allows for simpler installation.
- Door can be installed to open to the left or right to suit your bathroom layout.
- For residential use only.
- Not for use in hospitality.

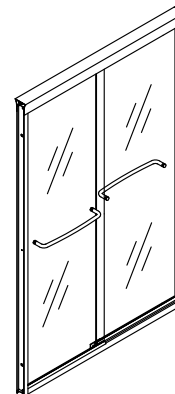
Recommended Products/Accessories

K-23723 Faucet cleaner

Included Components

Additional Components:

Hardware kit



Codes/Standards

ANSI Z97.1

CPSC 16CFR 1201

KOHLER® One-Year Limited Warranty

See website for detailed warranty information.

Available Colors/Finishes

Color tiles intended for reference only.

| Color | Code | Description |
|-------|------|-------------|
|-------|------|-------------|

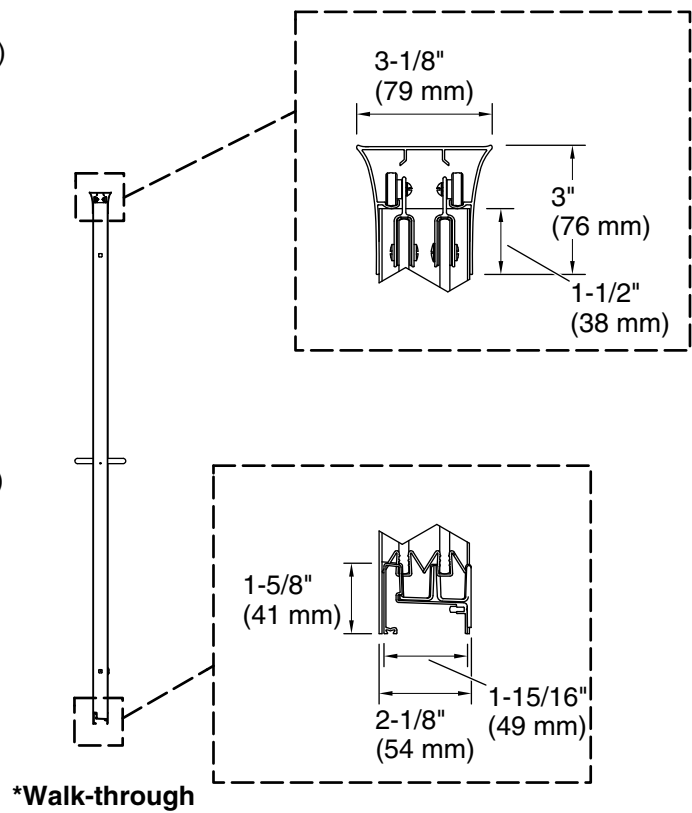
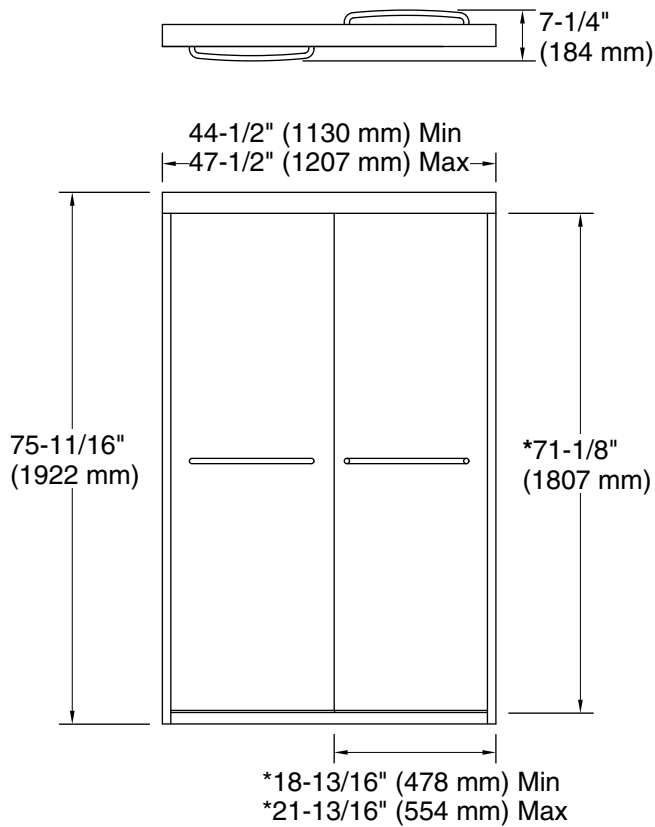


| | |
|-----|------------------------|
| SHP | Bright Polished Silver |
|-----|------------------------|

Available Glass Options

| Code | Description |
|------|-------------|
|------|-------------|

| | |
|---|---------------|
| L | Crystal Clear |
|---|---------------|



Technical Information

All product dimensions are nominal.

Installation type: For shower base installation

Opening Width - Min: 44-1/2" (1130 mm)

Opening Width - Max: 47-1/2" (1207 mm)

Walk-through - Min: 18-13/16" (478 mm)

Walk-through - Max: 21-13/16" (554 mm)

Glass thickness: 1/4" (6 mm)

Glass coating: CleanCoat®

Notes

Install this product according to the installation instructions.

The vertical opening should be a minimum of 77-3/4" (1975 mm) to allow for installation clearance.