

KOHLER®

Deerfield®
Cutting Board
K-6624

Features

- Fits over the K-5813 and K-5838 Deerfield kitchen sinks.
- Durable hardwood construction.
- Provides a workstation for quick and easy food prepping.



Codes/Standards

EPA TSCA Title VI

KOHLER® One-Year Limited Warranty

See website for detailed warranty information.

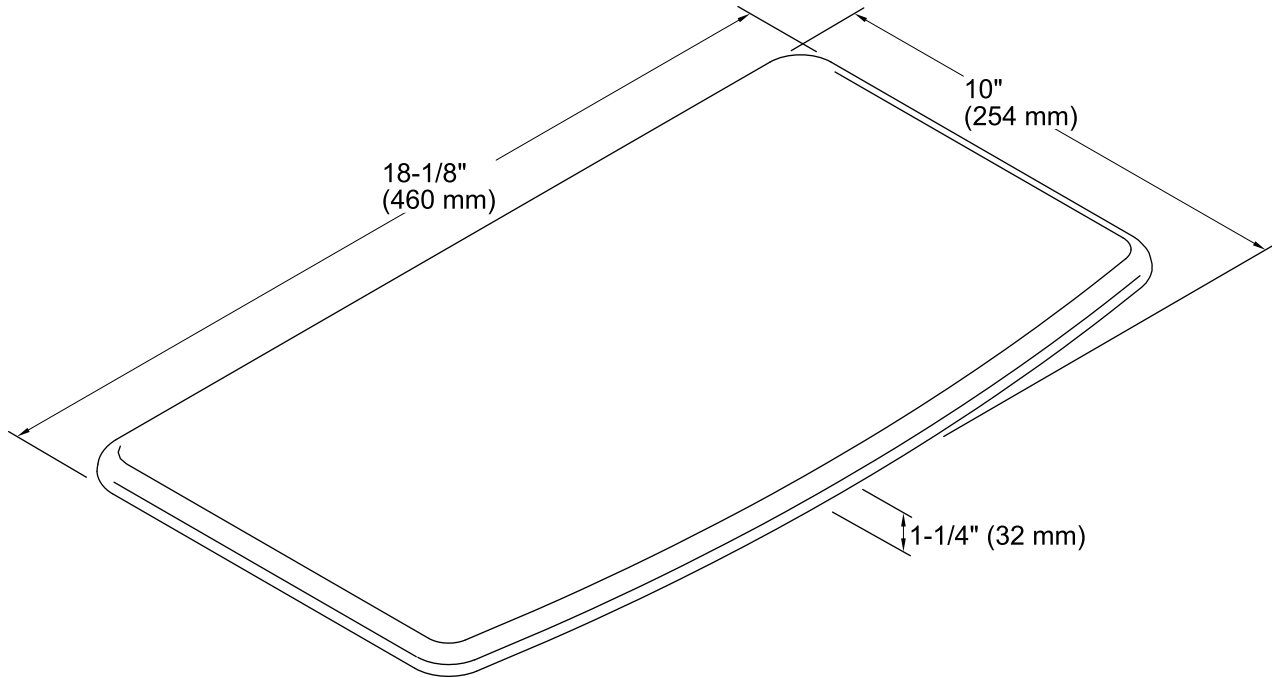
1-800-4KOHLER (1-800-456-4537)

Kohler Co. reserves the right to make revisions without notice to product specifications.

For the most current Specification Sheet, go to www.kohler.com.

9-7-2019 12:21 - US/CA

THE BOLD LOOK
OF **KOHLER®**



Technical Information

All product dimensions are nominal.

Material: Wood