

Features

- One-piece wall-hung toilet.
- Compact elongated bowl offers added comfort while occupying the same space as a round-front bowl.
- Mounting hardware is completely concealed, giving Veil a sleek, seamless look that is easy to clean.
- Adjustable durable steel frame carrier allows the bowl to be set anywhere from 15-3/8 inches to 28-1/2 inches from floor.
- Dual-flush actuator offers a choice of 0.8 or 1.6 gallons per flush (gpf).
- Includes C3 201 toilet seat with cleansing functionality.
- Includes C3 seat, wall-hung bowl, flush actuator, and in-wall carrier.
- Large flush actuator plate can be removed for easy access to inner tank.

Technology

- Dual-flush technology allows you to choose between a full- or partial-flush.

Installation

- Durable steel frame for 2" x 6" installation.
- When installed per Kohler's installation instructions, the Kohler in-wall tank and carrier system can support up to 880 lbs without damage.
- Supply line not included.

Water Conservation & Rebates

- WaterSense® toilets meet strict EPA flushing guidelines, including using at least 20 percent less water than 1.6-gallon toilets.
- Eligible for consumer rebates in some municipalities.

Included Components

Product consists of:

- K-6300 Wall-Hung Elongated Toilet Bowl
- K-6284 2"x6" In-Wall Tank and Carrier System
- K-4744 C3®-201 Quiet-Close™ nightlight elongated cleansing toilet seat
- K-6298 Flush Actuator Plate



Codes/Standards

ASME A112.4.2/CSA B45.16
ASME A112.6.2
ASME A112.19.2/CSA B45.1
ASME A112.19.14
DOE - Energy Policy Act 1992
EPA WaterSense®
UL 1431



KOHLER® Intelligent Toilet and C3® Cleansing Seat Three-Year Limited Warranty

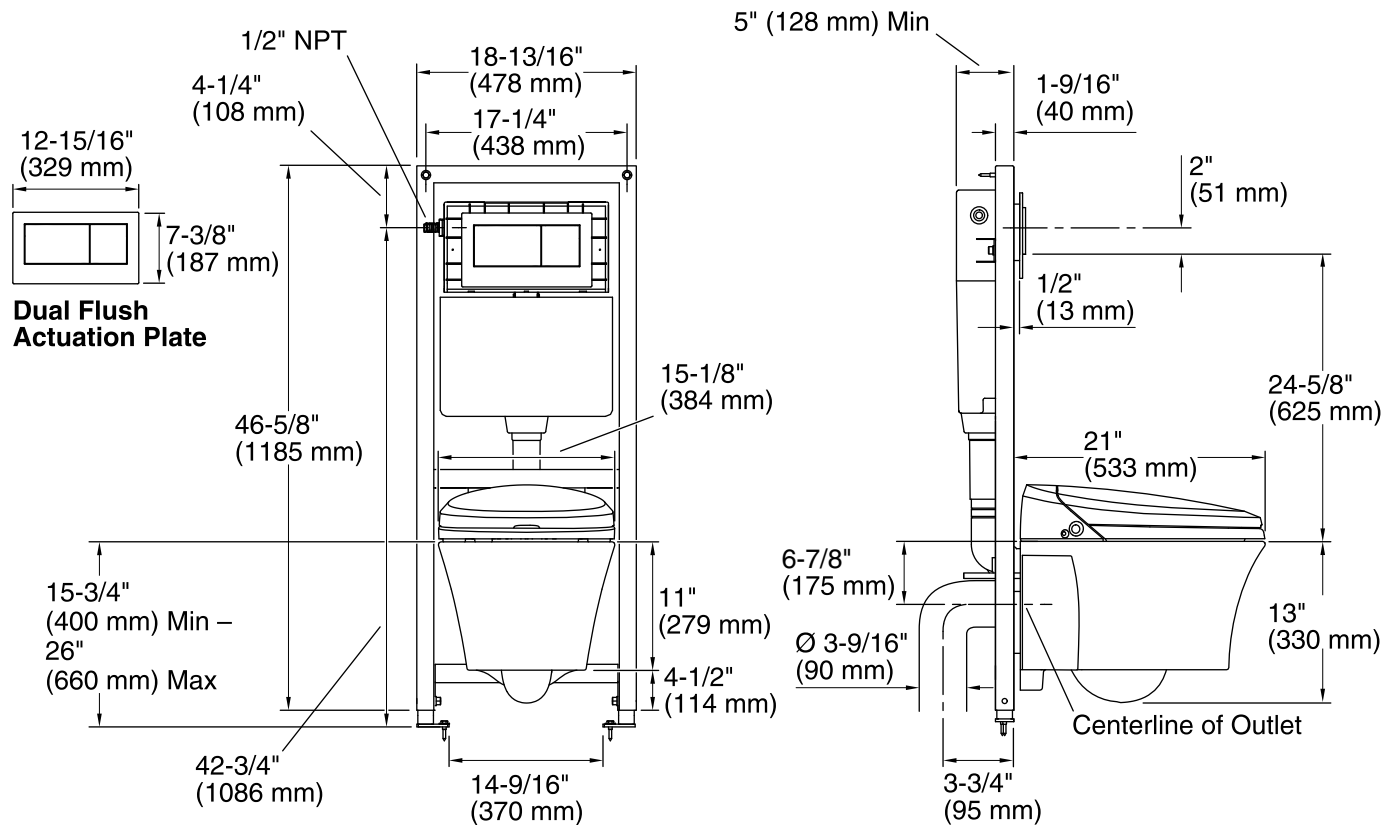
See website for detailed warranty information.

Available Colors/Finishes

Color tiles intended for reference only.

Color	Code	Description
-------	------	-------------

	0	White
	96	Biscuit



Technical Information

All product dimensions are nominal.

Toilet type:	In-wall, Wall-mount
Waste Outlet:	Wall
Bowl shape:	Compact elongated
Water Consumption	
Full:	1.6 gpf (6 lpf)
Reduced:	0.8 gpf (3 lpf)

Notes

Install this product according to the installation instructions.

Requires 2x6 stud construction.

Refer to manufacturer and local codes for flush valve requirements.

Refer to the K-4744 bidet seat specification sheet for additional information.

In-wall tank and carrier system install in wall opening 5-1/2" (140 mm) x 19" (483 mm) x 50" (1270 mm) minimum.