

Mach Flex™ | K-61TB10T50-7BK

Glass faceplate for concealed touchless toilet flushometer, dual-flush (1.0 / 1.6 gpf)

Features

- Touchless glass sensor faceplate only. Requires KOHLER® rough-in toilet valve and AC or DC power supply to complete full system solution
- Dual-flush activation is dependent upon length of time user is present. Valve will perform a reduced flush of 1.0 gpf (3.8 lpf) for users present under 60 seconds, and a full flush of 1.6 gpf (6.0 lpf) for users present over 60 seconds. If disabled, valve will deliver 1.6 gpf (6.0 lpf) with every activation
- Flex sensor technology utilizes advanced time-of-flight sensor technology to deliver accurate activation
- Optimized faceplate size for front-access servicing
- AC-power options available in single-supply or multi-supply. DC-power option delivers approximately 10 years of performance (80 uses/day)
- Fully mechanical manual override



Sustainability



Available Colors/Finishes

Color tiles intended for reference only.

- CP Polished Chrome
- BN Vibrant Brushed Nickel
- BL Matte Black
- 2MB Vibrant Brushed Moderne Brass



1-800-4KOHLER (1-800-456-4537)

Kohler Co. reserves the right to make revisions without notice to product specifications.
For the most current specification sheet, go to www.kohler.com USA or www.kohler.ca Canada.
3-27-2026 17:32 - US-CA

Codes/Standards

ADA, OBC, CSA B651 compliant when installed to the specific requirements of these regulations.



ASSE 1037/ASME A112.1037/CSA B125.37

ADA

ICC/ANSI A117.1

CSA B651

OBC

Valves

Required Valve: Volume Control

Material

- Durable tempered glass construction
-

Technology

- Automatic sentinel flush occurs after 24 hours of non-use to keep trapway fresh
 - Designed to communicate wirelessly with Cortex™ mobile app for flushometer parameter adjustments via approved tech professionals only
-

Connectivity



The BLUETOOTH® word mark and logos are registered trademarks owned by Bluetooth SIG, Inc. and any use of such marks by Kohler Co. is under license.

Warranty

See website for detailed warranty information.

KOHLER® One-Year Limited Warranty

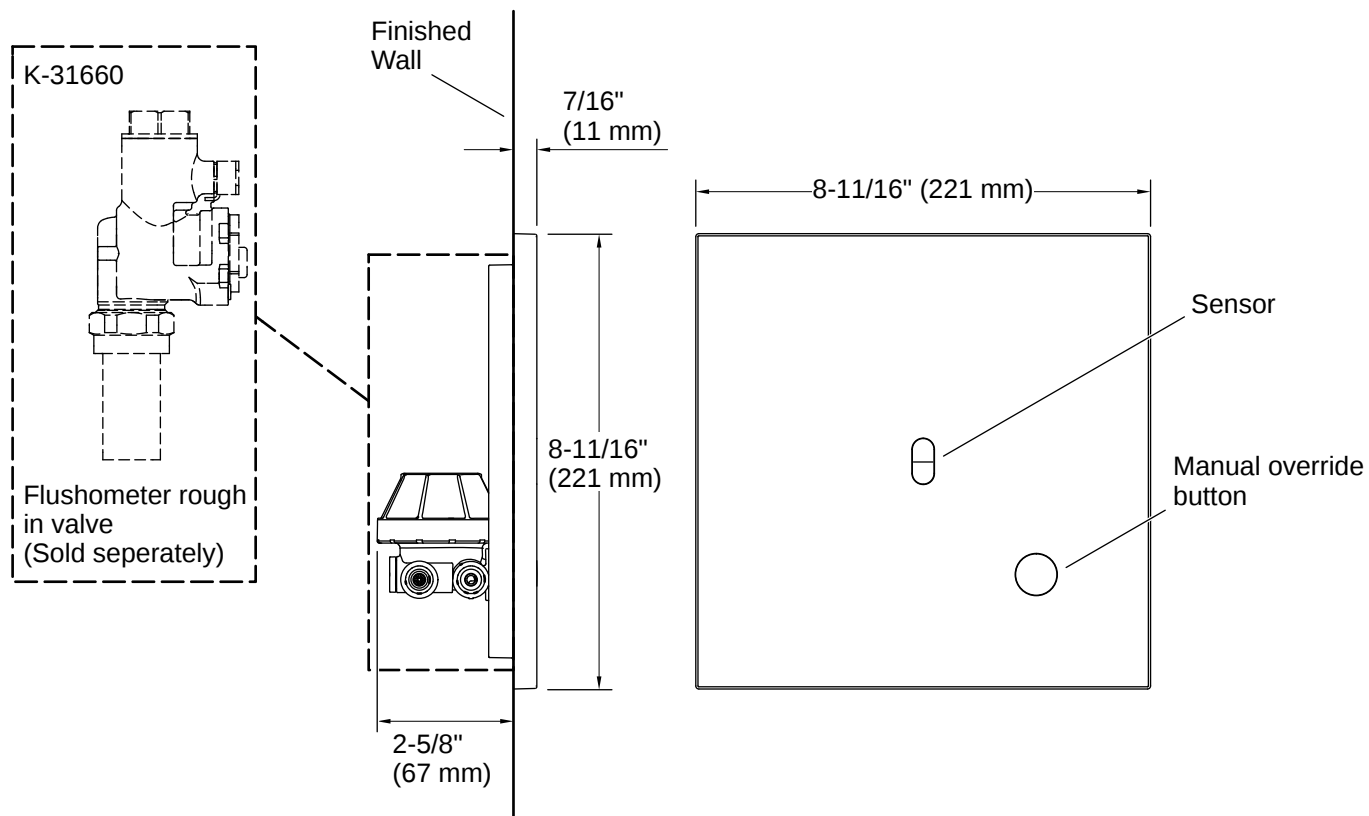


1-800-4KOHLER (1-800-456-4537)

Kohler Co. reserves the right to make revisions without notice to product specifications.

For the most current specification sheet, go to www.kohler.com USA or www.kohler.ca Canada.

3-27-2026 17:32 - US-CA



Installation Notes

Install this product according to the installation instructions.

ADA, OBC, CSA B651 compliant when installed to the specific requirements of these regulations.

