



Countertop Cutting Board
K-5917

Features

- Universal design fits alongside kitchen sinks.
- Durable hardwood construction.
- Provides a workstation for quick and easy food prepping.



Codes/Standards

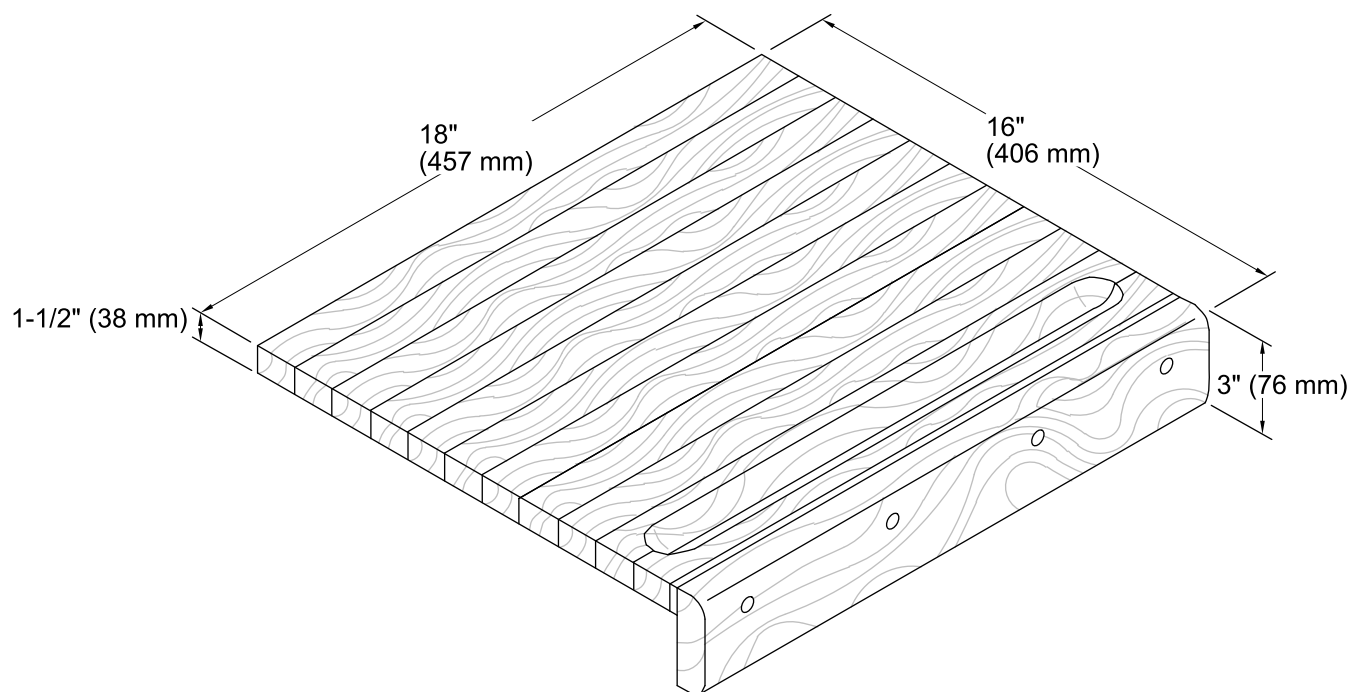
EPA TSCA Title VI

KOHLER® One-Year Limited Warranty

See website for detailed warranty information.



Countertop Cutting Board
K-5917



Technical Information

All product dimensions are nominal.

Material: Wood