

### Features

- 122 airjets release thousands of bubbles that surround, support, and massage the body.
- Variable-speed blower lets you adjust massage intensity to 18 levels.
- Zones of Control™ feature allows you to target airjet massage to back, midsection, or feet.
- Lighted keypad.
- Molded lumbar support offers extra comfort while bathing.
- Oval-shaped basin offers a graceful and spacious bathing experience.
- Slotted overflow allows for deep soaking.
- Immediate and manual purge cycles remove residual water from air channels after use.
- Requires K-7271 or K-7272 Clearflo slotted overflow bath drain (sold separately).
- Center drain.

### Material

- Acrylic

### Hydrotherapy

- BubbleMassage

### Installation

- Drop-in or under-mount.

### Additional Hydrotherapy Options

- Soaking Bath - 5715-0
- Soaking Bath + Bask heated surface - 5715-W1
- BubbleMassage air bath - 5716-G
- BubbleMassage air bath + chromatherapy - 5716-GCR
- VibrAcoustic + BubbleMassage air bath - 5716-GVB
- VibrAcoustic + BubbleMassage air bath + Bask heated surface + chromatherapy - 5716-GVBCW
- BubbleMassage air bath + Bask heated surface - 5716-GW
- Whirlpool + heater - 5716-H2
- VibrAcoustic - 5716-VB
- VibrAcoustic + chromatherapy - 5716-VBC
- VibrAcoustic + chromatherapy + Bask heated surface - 5716-VBCW
- VibrAcoustic + Bask heated surface - 5716-VBW
- Whirlpool + BubbleMassage air bath - 5716-XH2G

### Required Products/Accessories

K-7271 Brass Slotted Overflow Bath Drain

or

K-7272 PVC Slotted Overflow Bath Drain



### Codes/Standards










ASME A112.19.7/CSA B45.10  
CSA B45.5/IAPMO Z124  
ASTM E162  
ASTM E662  
UL 1795  
CSA C22.2 No. 218.2

**KOHLER® Plastic Baths and Receptors  
Lifetime Limited Warranty  
KOHLER® Hydrotherapy Components  
Five-Year Limited Warranty**

See website for detailed warranty information.

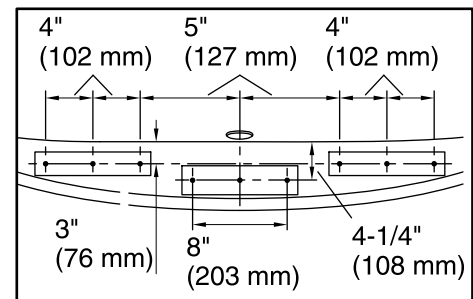
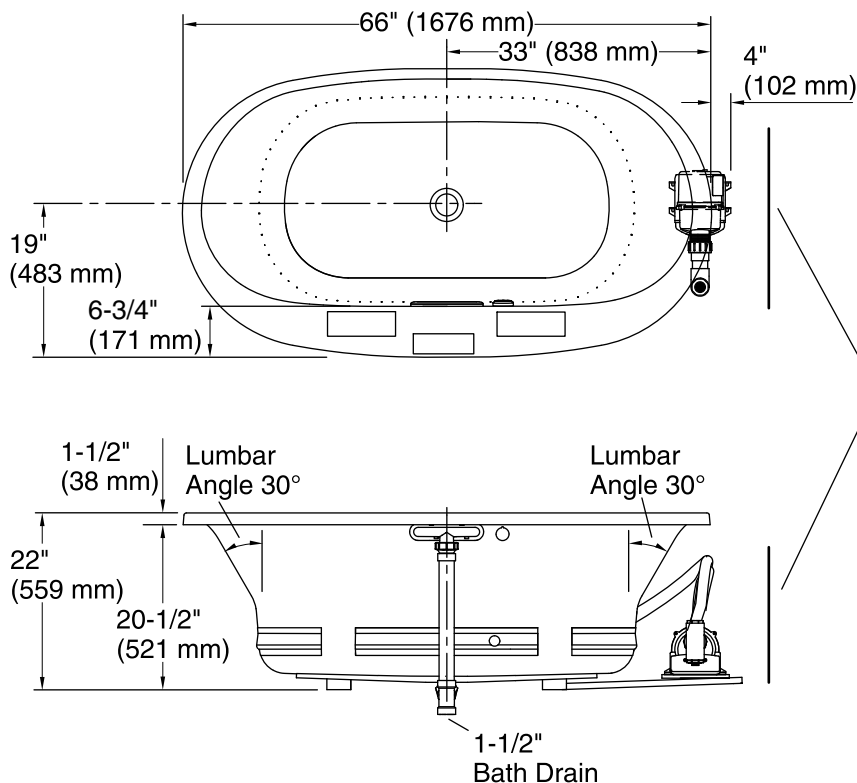
### Available Colors/Finishes

*Color tiles intended for reference only.*

Color	Code	Description
	0	White
	96	Biscuit
	47	Almond
	NY	Dune
	95	Ice™ Grey
	G9	Sandbar
	K4	Cashmere
	58	Thunder™ Grey
	7	Black Black™

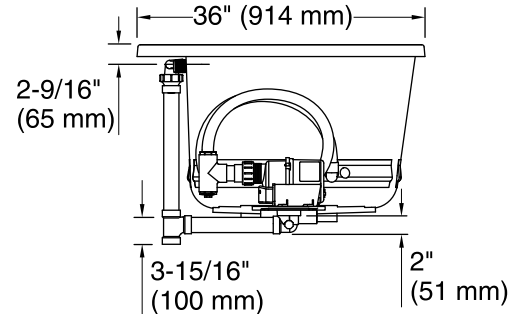
No change in measurements if connected with drain illustrated. (K-7272)

□ Recommended Faucet Location



**Recommended Faucet Hole Location**

Blower/Control Access  
34" (864 mm) W  
x 15" (381 mm) H



### Required Electrical Service

One dedicated circuit required, protected with Class A Ground-Fault Circuit-Interrupter (GFCI). Outside North America, this device may be known as a Residual Current Device (RCD).

Blower: 240 V, 15 A, 50/60 Hz

### Technical Information

All product dimensions are nominal.

Installation:	Drop-in, Under-mount
Drain location:	Center
Basin area, bottom:	47" x 26-1/4" (1193 mm x 666 mm)
Basin area, top:	61-3/16" x 28-3/8" (1554 mm x 721 mm)
Weight:	90 lbs (40.8 kg)
Minimum floor load:	84.9 lbs/ft <sup>2</sup> (414.5 kg/m <sup>2</sup> )
Water depth:	17-9/16" (446 mm)
Water capacity:	85.5 gal (323.7 L)
Template:	Drop-in, 1268439-7, required, included
Electrical component rating:	Blower: 240 V, 3 A, 50/60 Hz
Blower speed:	Variable

### Notes

Measure your actual product for rough-in details. Install this product according to the installation instructions.

The hot water supply should be 70% of the capacity of the bath or greater. Installations will vary.

Locate a GFCI-protected 240 V, 15 A grounded electrical outlet within 24" (610 mm) of the blower motor.

If installing a rim-mount faucet, make sure there is no interference above or below the deck before drilling any holes.