

### Features

- Bask® heated surface creates spa-like relaxation with soothing warmth on your back, shoulders, and neck.
- Three heat settings allow you to customize the surface temperature.
- 122 airjets release thousands of bubbles that surround, support, and massage the body.
- Variable-speed blower lets you adjust massage intensity to 18 levels.
- Zones of Control™ feature allows you to target airjet massage to back, midsection, or feet.
- Chromatherapy lighting allows you to select a preferred color scheme to suit your mood.
- Lighted keypad.
- Molded lumbar support offers extra comfort while bathing.
- Oval-shaped basin offers a graceful and spacious bathing experience.
- Slotted overflow allows for deep soaking.
- Immediate and manual purge cycles remove residual water from air channels after use.
- Requires K-7271 or K-7272 Clearflo slotted overflow bath drain (sold separately).
- Center drain.

### Material

- Acrylic

### Hydrotherapy

- BubbleMassage
- Chromatherapy

### Installation

- Drop-in or under-mount.

### Additional Hydrotherapy Options

- Soaking Bath - 5715-0
- Soaking Bath + Bask heated surface - 5715-W1
- BubbleMassage air bath - 5716-G
- BubbleMassage air bath + chromatherapy - 5716-GCR
- VibrAcoustic + BubbleMassage air bath - 5716-GVB
- VibrAcoustic + BubbleMassage air bath + Bask heated surface + chromatherapy - 5716-GVBCW
- BubbleMassage air bath + Bask heated surface - 5716-GW
- Whirlpool + heater - 5716-H2
- VibrAcoustic - 5716-VB
- VibrAcoustic + chromatherapy - 5716-VBC
- VibrAcoustic + chromatherapy + Bask heated surface - 5716-VBCW
- VibrAcoustic + Bask heated surface - 5716-VBW



### Codes/Standards









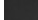
ASME A112.19.7/CSA B45.10  
CSA B45.5/IAPMO Z124  
ASTM E162  
ASTM E662  
UL 1795

**KOHLER® Plastic Baths and Receptors  
Lifetime Limited Warranty  
KOHLER® Hydrotherapy Components  
Five-Year Limited Warranty**

See website for detailed warranty information.

### Available Colors/Finishes

*Color tiles intended for reference only.*

Color	Code	Description
	0	White
	96	Biscuit
	47	Almond
	NY	Dune
	95	Ice™ Grey
	G9	Sandbar
	K4	Cashmere
	58	Thunder™ Grey
	7	Black Black™



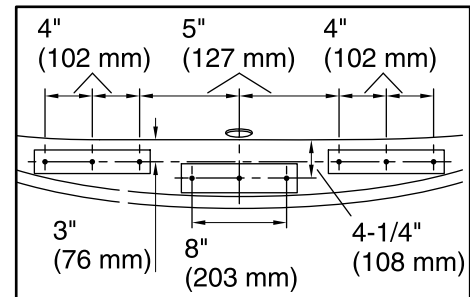
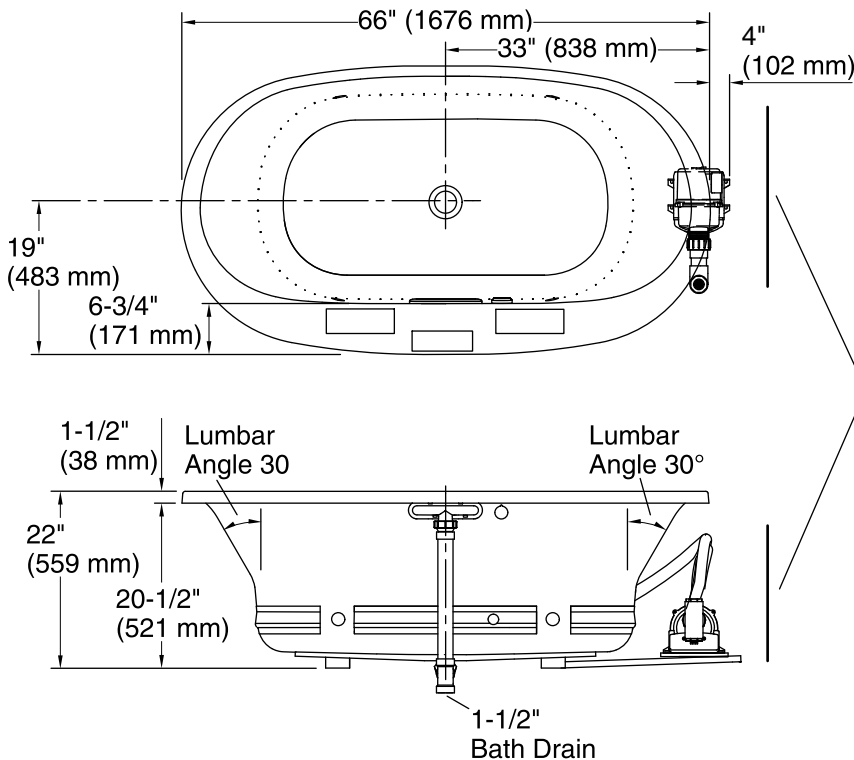
# Underscore® Oval

## 5.5' BubbleMassage™ Bath

### K-5716-GCW

No change in measurements if connected with drain illustrated. (K-7272)

□ Recommended Faucet Location

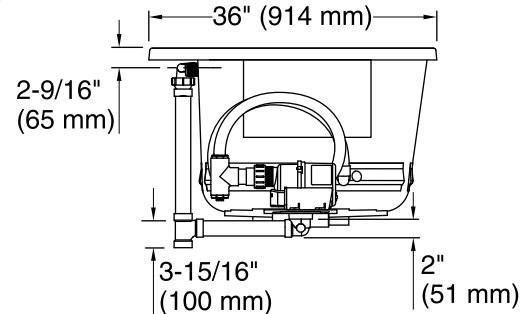


**Recommended Faucet Hole Location**

Blower/Control Access

34" (864 mm) W

x 15" (381 mm) H



### Required Electrical Service

One dedicated circuit required, protected with Class A Ground-Fault Circuit-Interrupter (GFCI). Outside North America, this device may be known as a Residual Current Device (RCD).

Blower, Heated Surface: 240 V, 15 A, 50/60 Hz

### Technical Information

All product dimensions are nominal.

Installation:	Drop-in, Under-mount
Drain location:	Center
Basin area, bottom:	47" x 26-1/4" (1193 mm x 666 mm)
Basin area, top:	61-3/16" x 28-3/8" (1554 mm x 721 mm)
Weight:	131 lbs (59.4 kg)
Minimum floor load:	54.2 lbs/ft <sup>2</sup> (264.6 kg/m <sup>2</sup> )
Water depth:	17-9/16" (446 mm)
Water capacity:	85.5 gal (323.7 L)
Template:	Drop-in, 1268439-7, required, included
Electrical component rating:	Blower: 240 V, 5 A, 50/60 Hz Heated Surface: 240 V, 0.5 A, 60 Hz, 65 W
Blower speed:	Variable

### Notes

Measure your actual product for rough-in details. Install this product according to the installation instructions.

The hot water supply should be 70% of the capacity of the bath or greater. Installations will vary.

Do not relocate or alter the PVC tee or coiled flexible tubing connected to the blower. Follow the blower relocation instructions exactly.

The blower base extends beyond the edge of the rim. Modify the framing as needed.

If installing a rim-mount faucet, make sure there is no interference above or below the deck before drilling any holes.