



# Underscore® Oval

## Freestanding BubbleMassage™ Air Bath

### K-5702-GW

#### Features

- Bask® heated surface creates spa-like relaxation with soothing warmth on your back, shoulders, and neck.
- Three heat settings allow you to customize the surface temperature.
- 122 airjets release thousands of bubbles that surround, support, and massage the body.
- Variable-speed blower lets you adjust massage intensity to 18 levels.
- Lighted keypad.
- Freestanding design creates a striking focal point in your bathing area.
- Oval-shaped basin offers a graceful and spacious bathing experience.
- Dual lumbar support accommodates two-person bathing.
- Wide ledge on one side is ideal for deck-mount faucet and/or handshower.
- Slotted overflow allows for deep soaking.
- Automatic purge cycles remove residual water from air channels after use.
- Requires K-7271 or K-7272 Clearflo slotted overflow bath drain (sold separately).
- Center drain.

#### Material

- Acrylic

#### Hydrotherapy

- BubbleMassage

#### Installation

- Freestanding
- Requires remote installation of the blower.

#### Additional Hydrotherapy Options

- Soaking Bath - 5701-0
- Soaking Bath + music - 5701-2M
- Soaking Bath + music + Bask heated surface - 5701-2MW
- Soaking Bath + Bask heated surface - 5701-W1
- BubbleMassage air bath - 5702-G
- BubbleMassage air bath + music - 5702-G2M
- BubbleMassage air bath + music + Bask heated surface - 5702-G2MW
- BubbleMassage air bath + Bask heated surface - 5702-GW
- VibrAcoustic - 5702-VB
- VibrAcoustic + Bask heated surface - 5702-VBW

#### Required Products/Accessories

K-7271 Brass Slotted Overflow Bath Drain



#### Codes/Standards

ASME A112.19.7/CSA B45.10  
CSA B45.5/IAPMO Z124  
UL 1795

**KOHLER® Plastic Baths and Receptors**  
**Lifetime Limited Warranty**  
**KOHLER® Hydrotherapy Components**  
**Five-Year Limited Warranty**

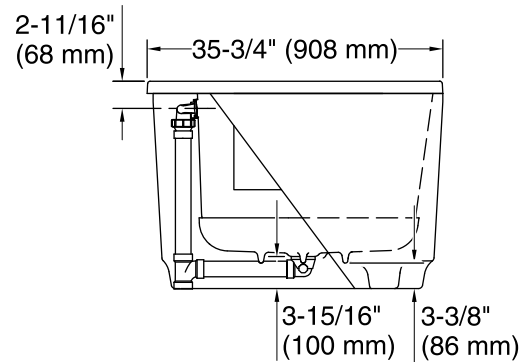
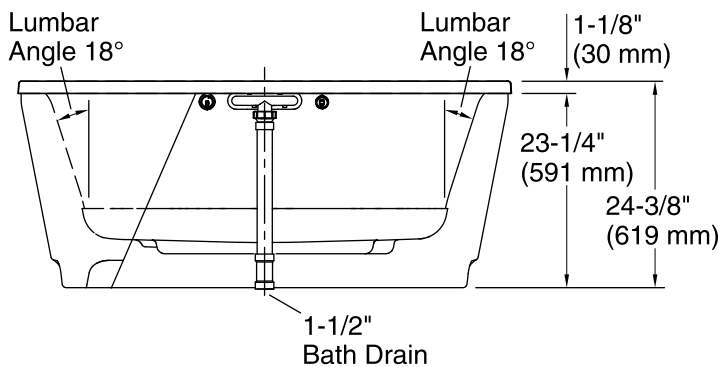
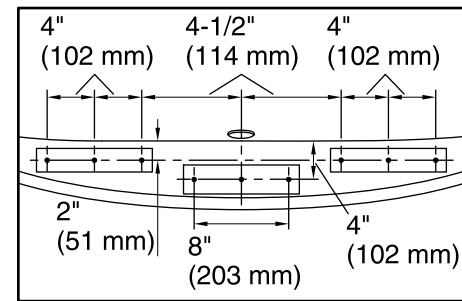
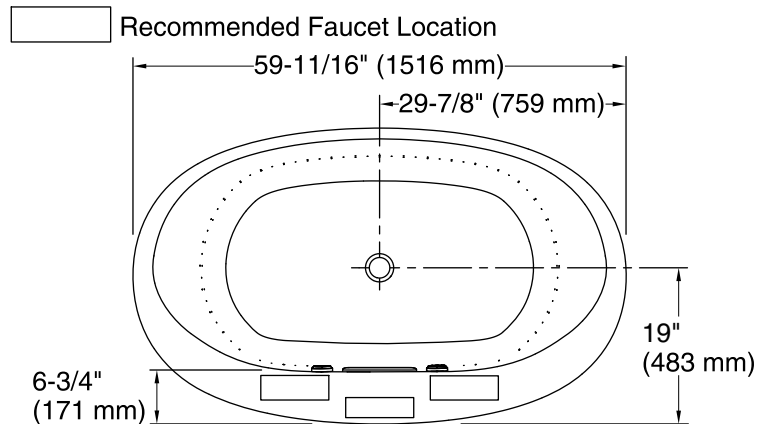
See website for detailed warranty information.

#### Available Colors/Finishes

*Color tiles intended for reference only.*

Color	Code	Description
	0	White
	96	Biscuit

No change in measurements if connected with drain illustrated. (K-7272)



### Required Electrical Service

One dedicated circuit required, protected with Class A Ground-Fault Circuit-Interrupter (GFCI). Outside North America, this device may be known as a Residual Current Device (RCD).

Blower, Heated 120 V, 15 A, 60 Hz  
Surface:

### Technical Information

All product dimensions are nominal.

Installation:	Freestanding
Drain location:	Center
Basin area, bottom:	43" x 25-5/8" (1093 mm x 651 mm)
Basin area, top:	55-9/16" x 28-3/8" (1411 mm x 720 mm)
Weight:	100 lbs (45.4 kg)
Minimum floor load:	45.4 lbs/ft² (221.7 kg/m²)
Water depth:	16-5/16" (415 mm)
Water capacity:	72.017 gal (272.6 L)
Template:	Footprint, 1265462, not required, not included
Electrical component rating:	Blower: 120 V, 10 A, 60 Hz Heated Surface: 120 V, 0.5 A, 60 Hz, 65 W

### Notes

Measure your actual product for rough-in details. Install this product according to the installation instructions.

The hot water supply should be 70% of the capacity of the bath or greater. Installations will vary.

Remote blower installation is required. Relocation kit is included.

If installing a rim-mount faucet, make sure there is no interference above or below the deck before drilling any holes.