

Features

- Washout urinal.
- ¾" (19 mm) top spud.
- 1 pint or 0.125 gpf (0.47 lpf).
- Includes inlet and outlet spuds and hangers.
- Includes anti-backsplash wall.
- 14-¾" (375 mm) extended rim.

Material

- Vitreous china.

Recommended Products/Accessories

- K-23726 Drain treatment
- K-23725 Cast iron cleaner
- K-7528 Touchless hybrid 0.125 gpf washdown urinal flushometer
- K-7546 Exposed hybrid 0.125 gpf washdown urinal flushometer
- K-7546-RF
- K-13520 Manual 1/8 GPF Urinal Flushometer
- K-76317 Manual 1/8 GPF Urinal Flushometer

Included Components

Additional Components:

- 2" outlet spud
- ¾" inlet spud
- Hanger(s)



ADA

Codes/Standards




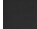
ASME A112.19.2/CSA B45.1
DOE - Energy Policy Act 1992
EPA WaterSense®
California Energy Commission (CEC)
ADA
ICC/ANSI A117.1

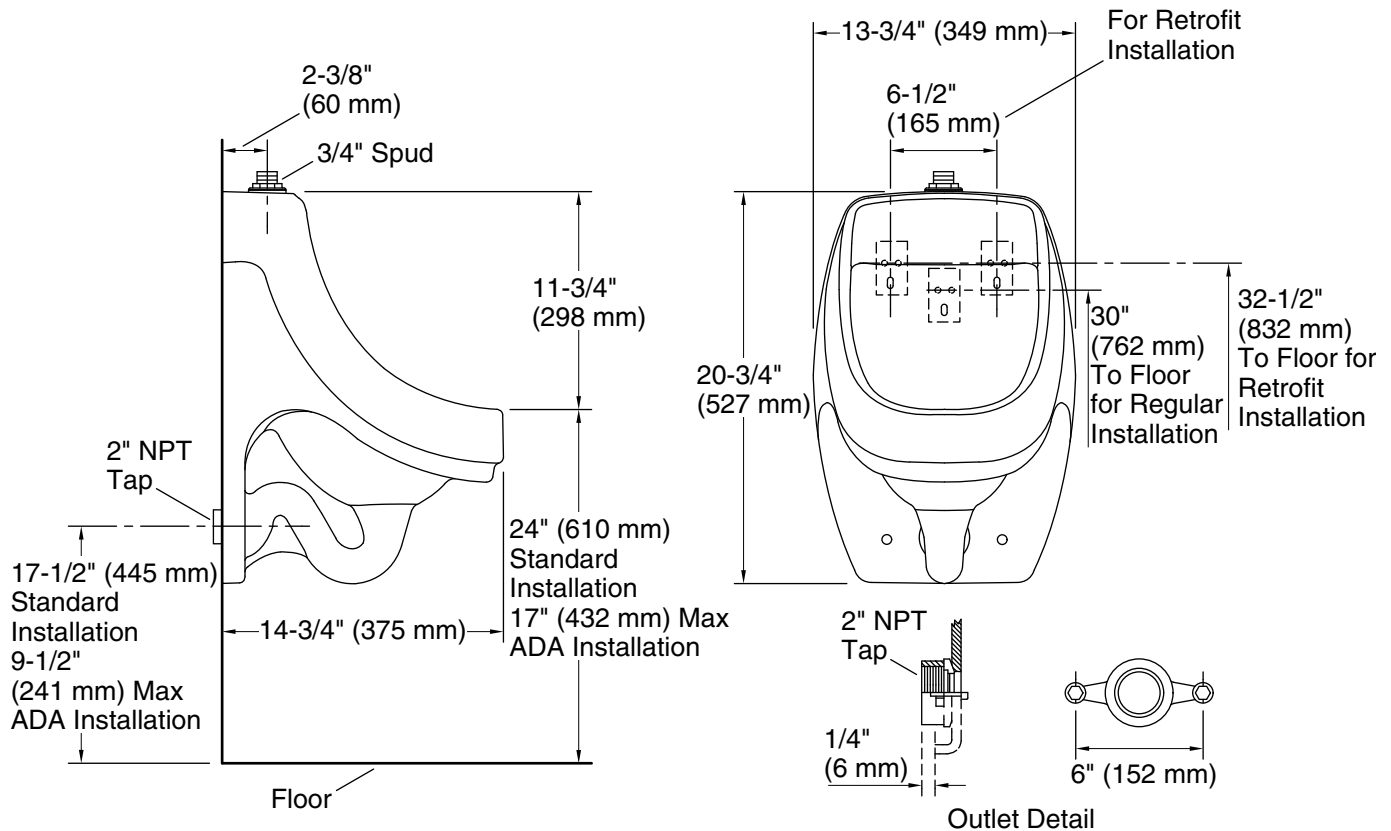
KOHLER® One-Year Limited Warranty

See website for detailed warranty information.

Available Colors/Finishes

Color tiles intended for reference only.

Color	Code	Description
	0	White
	96	Biscuit
	47	Almond
	7	Black Black™



Technical Information

All product dimensions are nominal.

Flush outlet technology:	Washout
Spud size:	3/4", Inlet, Top
Min. Water per Flush:	0.125 gal (0.5 L)
Max. Water per Flush:	0.125 gal (0.5 L)

Designed for the above water use when installed with a water-saving flushometer.

Pressure and Supply Requirements

Fixture pressure min (static):	25 psi (172.4 kPa)
Fixture pressure max (static):	80 psi (551.6 kPa)

Notes

Designed only for use with a 0.125 gpf (0.5 lpf) flushometer.

Install this product according to the installation instructions.

Recommended ADA outlet spud height will account for normal product variation.

For ADA compliance, measurement must be 17" (432 mm) or less from the floor to the top of the lip.

ADA compliant when installed to the specific requirements of these regulations.