



# Iron Plains® Oval Wading Pool®

bathroom sink with Black Plum painted underside  
**K-5403-PL**

## Features

- Oval basin.
- Overflow drain.

## Material

- KOHLER® enameled cast iron.
- Black Plum interior and painted underside.

## Installation

- No faucet holes; requires wall-or counter-mount faucet.
- Vessel.

## Recommended Products/Accessories

- K-23726 Drain treatment
- K-23725 Cast iron cleaner



ADA CSA B651

## Codes/Standards

ASME A112.19.1/CSA B45.2  
ADA  
ICC/ANSI A117.1  
CSA B651

## Lifetime Limited Warranty for KOHLER® Cast Iron Components

See website for detailed warranty information.

## Available Colors/Finishes

*Color tiles intended for reference only.*

### Color Code Description

■ PLM Black Plum

1-800-4KOHLER (1-800-456-4537)

Kohler Co. reserves the right to make revisions without notice to product specifications.

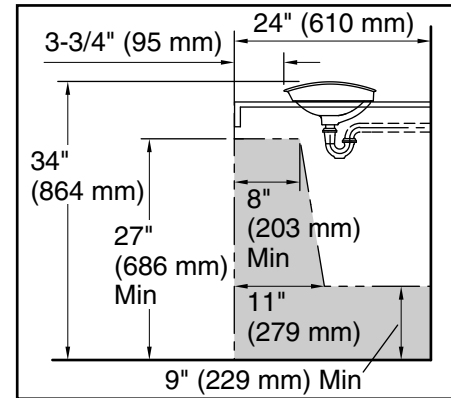
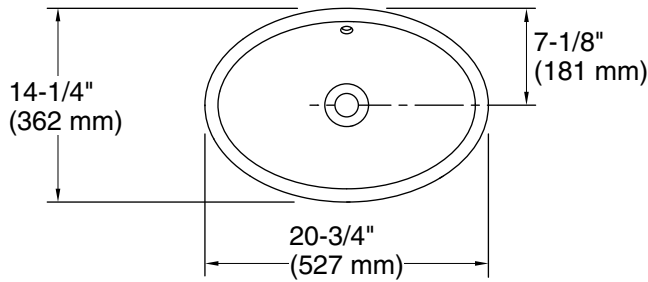
For the most current Specification Sheet, go to [www.kohler.com](http://www.kohler.com).

3-24-2020 06:31 - US/CA/CN/LM/MX

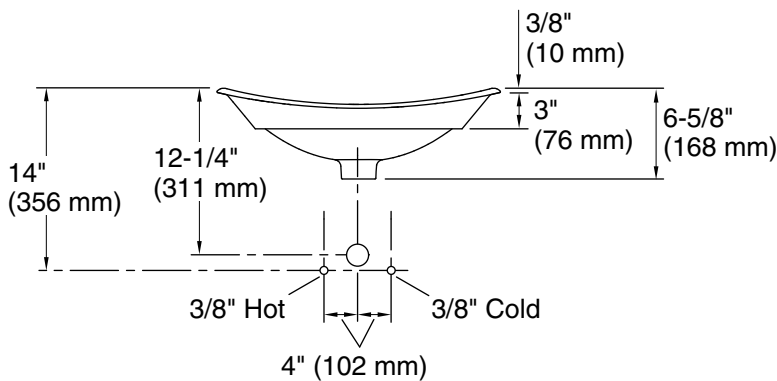
THE BOLD LOOK  
OF **KOHLER**®



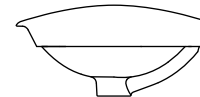
**Iron Plains® Oval Wading Pool®**  
 bathroom sink with Black Plum painted underside  
**K-5403-PL**



Recommended ADA Installation



Standard Installation



**Technical Information**

All product dimensions are nominal.

- Bowl configuration: Single
- Installation: Vessel
- Bowl area: Length: 19-3/4" (501 mm)  
 Width: 13-1/4" (337 mm)  
 Bowl depth: 4-15/16" (126 mm)  
 With overflow: Yes  
 Water depth: 2-1/4" (58 mm)
- Drain hole: 1-3/4" (44 mm)
- Template: 1222633-7, required, included

**Notes**

Install this product according to the installation instructions.

**NOTICE:** Countertop manufacturer or cutter must use the cut-out template provided with the product, or a current one provided by Kohler Co. (call 1-800-4-KOHLER). Kohler Co. is not responsible for cutout errors when the incorrect cut-out template is used.

ADA, CSA B651 compliant when installed to the specific requirements of these regulations.