



# Iron Plains®

20-3/4" oval vessel bathroom sink  
**K-5403-PAG**

## Features

- Oval basin
- No faucet holes; requires wall- or counter-mount faucet
- With overflow
- Enameled Aspen Green interior and painted Aspen Green underside

## Material

- KOHLER® enameled cast iron
- Acid-resistant enamel finish

## Installation

- Vessel

## Recommended Products/Accessories

- K-23726 Drain treatment
- K-23725 Cast iron cleaner



ADA

CSA B651

## Codes/Standards

ASME A112.19.1/CSA B45.2  
ADA  
ICC/ANSI A117.1  
CSA B651  
IAPMO Certification

## KOHLER® Enameled Cast Iron Kitchen and Bathroom Sink Lifetime Limited Warranty

See website for detailed warranty information.

## Available Colors/Finishes

*Color tiles intended for reference only.*

Color	Code	Description
-------	------	-------------

	42	Aspen Green
---	----	-------------

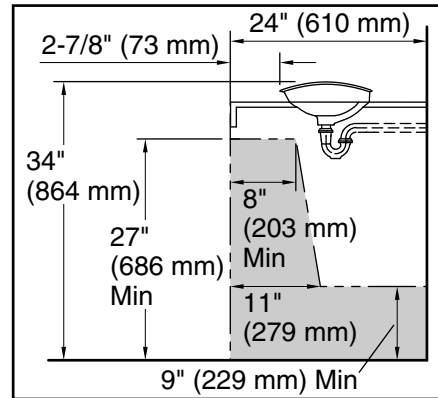
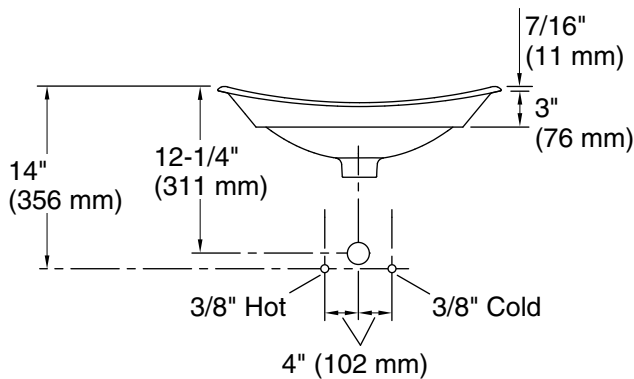
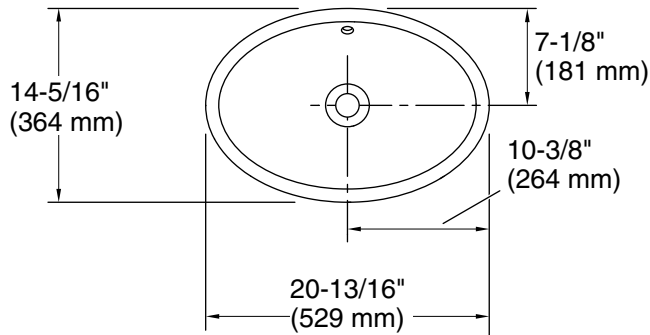
1-800-4KOHLER (1-800-456-4537)

Kohler Co. reserves the right to make revisions without notice to product specifications.

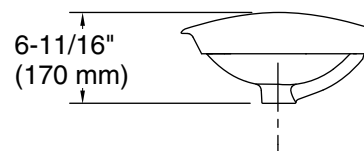
For the most current Specification Sheet, go to [www.kohler.com](http://www.kohler.com) USA or [www.kohler.ca](http://www.kohler.ca) Canada

6-8-2024 21:11 - US

THE BOLD LOOK  
OF **KOHLER**®



**Recommended ADA Installation**



### Technical Information

All product dimensions are nominal.

Bowl configuration:	Single
Bowl area:	Length: 19-3/4" (501 mm) Width: 13-1/4" (337 mm) Bowl depth: 4-15/16" (126 mm) Water depth: 2-1/4" (58 mm)
With overflow:	Yes
Drain hole:	1-3/4" (44 mm)
Template:	1222633-7, required, included

### Notes

Install this product according to the installation instructions.

If included, add the following note # NOTICE: Countertop manufacturer or cutter must use the cut-out template provided with the product, or a current one provided by Kohler Co. (call 1-800-4KOHLER). Kohler Co. is not responsible for cutout errors when the incorrect cut-out template is used.

ADA, CSA B651 compliant when installed to the specific requirements of these regulations.