

Features

- Vitreous china.
- Semi-recessed.
- 1-1/4" trap with brushed chrome strainer.
- Includes supply fitting.



Codes/Standards

ASME A112.18.1/CSA B125.1

ASME A112.19.1/CSA B45.2

NSF/ANSI 61

NSF/ANSI 372

All applicable US Federal and State material regulations

KOHLER® One-Year Limited Warranty

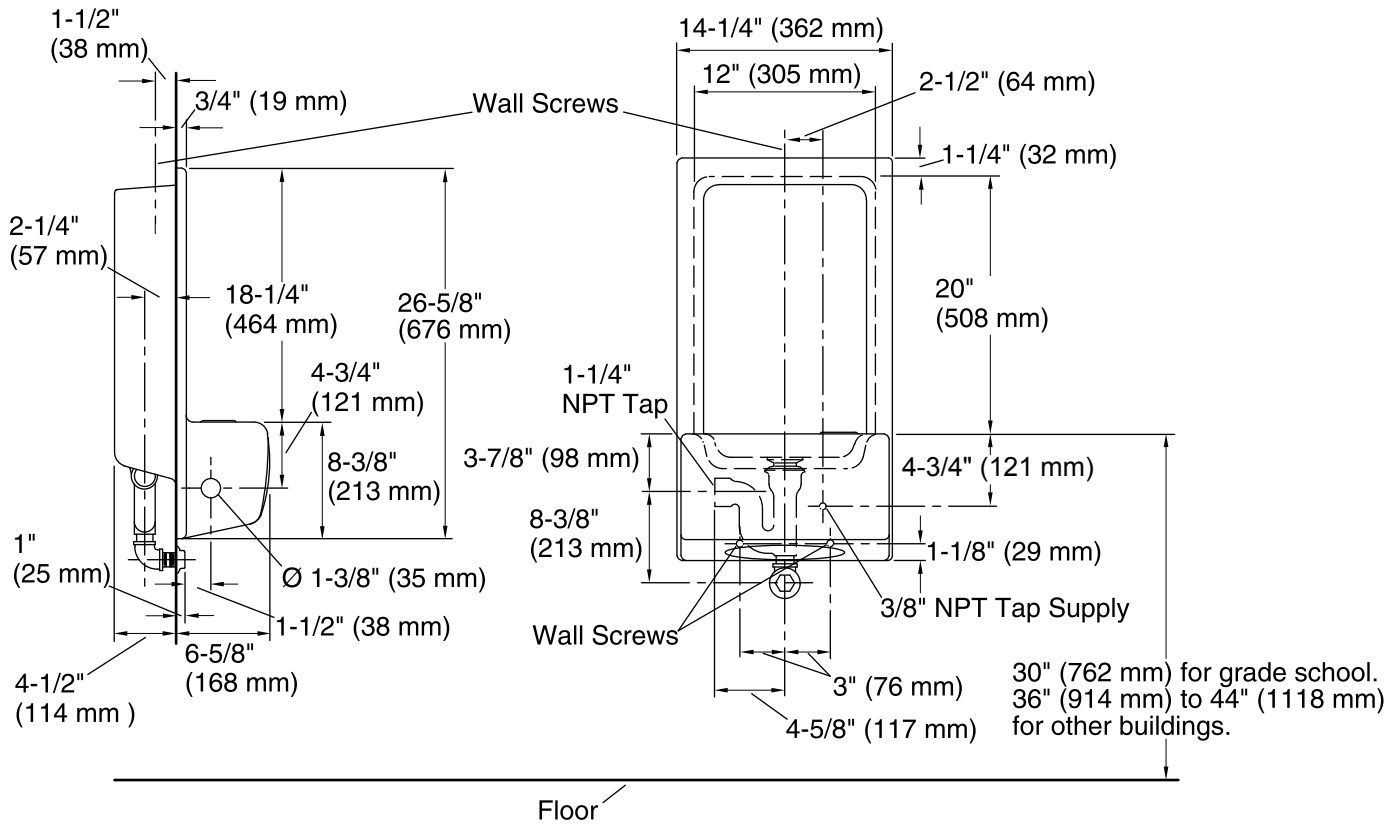
See website for detailed warranty information.

Available Colors/Finishes

Color tiles intended for reference only.

Color	Code	Description
-------	------	-------------

	0	White
--	---	-------



Technical Information

All product dimensions are nominal.

Drain included: Yes

Notes

Install this product according to the installation guide.