



C³®-201 Quiet-Close™ nightlight elongated cleansing toilet seat K-4744

Features

- Continuously heated water for consistent comfort.
- Front and rear wash modes provide warm water for cleansing.
- Remote control with two programmable user presets.
- Heated seat with adjustable temperature settings.
- LED lighting illuminates the bowl to serve as a nightlight.
- Warm-air drying system with adjustable air speed and temperature.
- Deodorizer helps to minimize odors.
- Energy save function.
- Quiet-Close™ lid closes slowly and quietly without slamming.
- Quick-Release™ system to allow for easy removal for cleaning.
- Warm air function for drying, with three temperature and fan-speed settings.
- Deodorizer helps to minimize odors.
- A sensor ensures the user is seated before functions are activated.
- LED lighting illuminates the bowl to serve as a nightlight.
- Can only be used with the K-6304 or K-6300.

Material

- Plastic.

Required Products/Accessories

K-6300 Wall-Hung Elongated Toilet Bowl

or

K-6304 One-Piece Elongated Toilet



Codes/Standards

ASME A112.4.2/CSA B45.16

CSA C22.2 No. 68

CSA C22.2 No. 64



KOHLER® Intelligent Toilet and C3® Cleansing Seat Three-Year Limited Warranty

See website for detailed warranty information.

Available Colors/Finishes

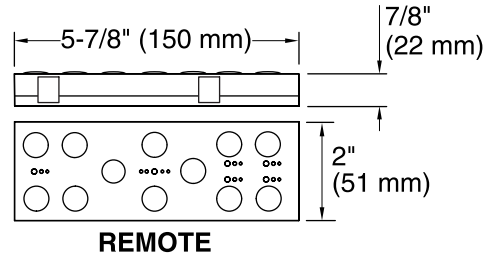
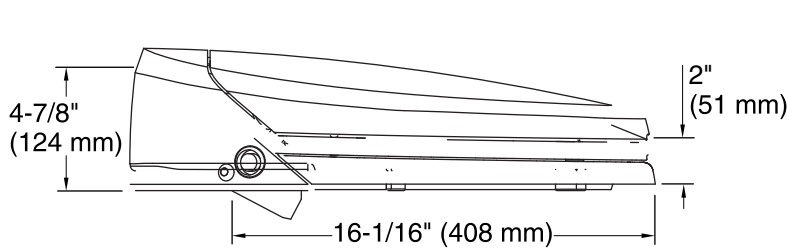
Color tiles intended for reference only.

Color	Code	Description
-------	------	-------------

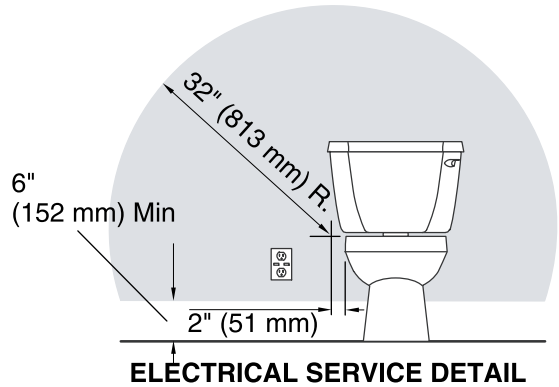
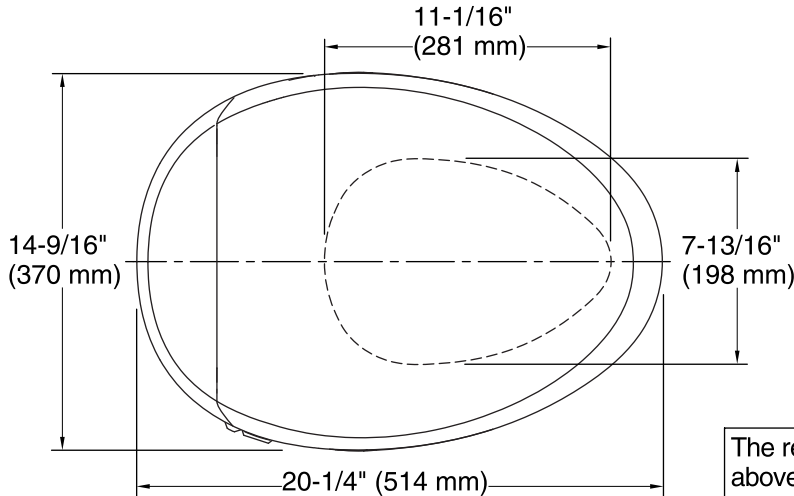
	0	White
	96	Biscuit



C³®-201 Quiet-Close™
 nightlight elongated cleansing toilet seat
K-4744



REMOTE



ELECTRICAL SERVICE DETAIL

The receptacle should be located at least 6" (152 mm) above the floor line, and within a 32" (813 mm) radius measured 2" (51 mm) to the right of the toilet ledge, as shown.

Required Electrical Service

One dedicated circuit required, protected with Class A Ground-Fault Circuit-Interrupter (GFCI). Outside North America, this device may be known as a Residual Current Device (RCD).

Bidet toilet seat: 120 V, 15 A, 60 Hz

Technical Information

All product dimensions are nominal.

Seat shape type: Elongated

Seat front type: Closed-front

Seat-mounting holes: 5-1/2" (140 mm)

Electrical component Bidet toilet seat: 120 V, 15 A, 60 Hz rating:

Power cord length: 46" (1168 mm)

Notes

Install this product according to the installation guide.