

## Features

- In-line heater provides continuously heated water for consistent comfort.
- Front and rear wash modes provide warm water for cleansing.
- Adjustable water temperature and water pressure.
- Remote control with two programmable user presets.
- Continuously heated water with adjustable temperature settings.
- Heated seat with adjustable temperature settings.
- LED lighting illuminates the bowl to serve as a nightlight.
- Warm-air drying system with adjustable air speed and temperature.
- Two spray wands with adjustable water pressure, temperature, and pulsate functions.
- Energy save function.
- Quiet-Close™ lid closes slowly and quietly without slamming.
- Quick-Release™ hinges allow seat to be unlatched from toilet for easy removal and convenient cleaning; no tools required.
- Grip-Tight bumpers hold seat firmly in place.
- Air blower function allowing selection of air speed and temperature.
- Automatic deodorization function.
- Energy save function.
- Antimicrobial materials used in seat and nozzles.
- Includes color-matched remote, power cord, and water supply hoses.

## Material

- Plastic.

## Included Components

Additional Components:

- Power cord
- Remote control
- Water supply hoses



## Codes/Standards

ASME A112.4.2/CSA B45.16  
CSA C22.2 No. 68  
CSA C22.2 No. 64



## KOHLER® Intelligent Toilet and C3® Cleansing Seat Three-Year Limited Warranty

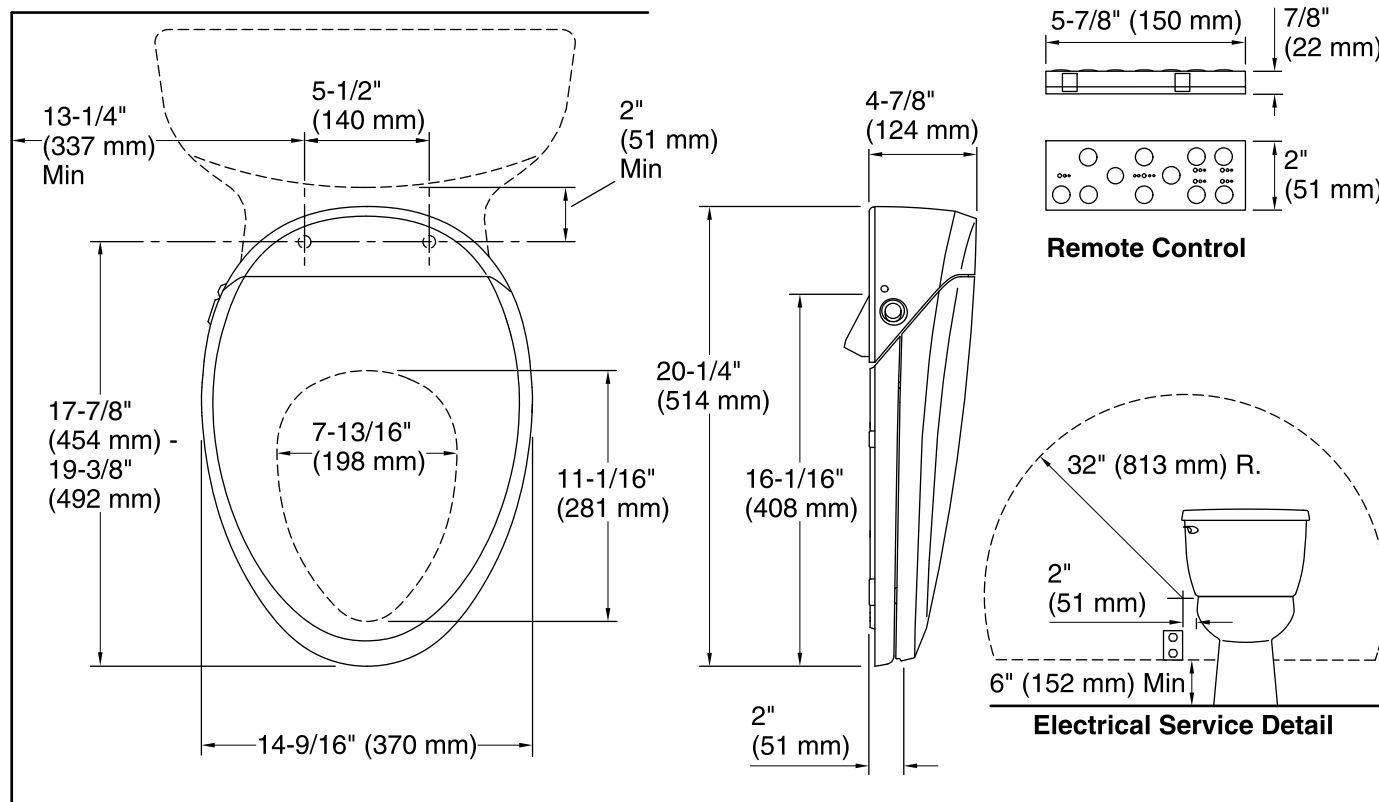
See website for detailed warranty information.

## Available Colors/Finishes

*Color tiles intended for reference only.*

Color	Code	Description
-------	------	-------------

	0	White
	96	Biscuit



## Required Electrical Service

One dedicated circuit required, protected with Class A Ground-Fault Circuit-Interrupter (GFCI). Outside North America, this device may be known as a Residual Current Device (RCD).

Bidet toilet seat: 120 V, 15 A, 60 Hz

## Technical Information

All product dimensions are nominal.

Seat shape type: Elongated

Seat front type: Closed-front

Seat-mounting holes: 5-1/2" (140 mm)

Electrical component Bidet toilet seat: 120 V, 15 A, 60 Hz rating:

Power cord length: 46" (1168 mm)

## Notes

Install this product according to the installation guide.

Locate the receptacle at least 6" (152 mm) above the floor, and within a 32" (813 mm) radius measured 2" (51 mm) from the bowl ledge.