



# Transpose™ Comfort Height®

The Complete Solution® elongated 1.28 gpf toilet  
K-45385

## Features

- Two-piece toilet.
- Patented ReadyLock™ installation system is a simple solution for skirted toilets that saves time, hassle, and eliminates the need to drill into the floor for a standard 12" rough-in.
- CleanCoat™ technology inhibits the growth of water scale and mineral stains for improved ease of cleaning.
- Includes K-4636 Cachet® Quiet-Close™ Grip-Tight elongated toilet seat.
- Elongated bowl offers added room and comfort.
- Skirted trapway simplifies cleaning.
- Revolution 360™ swirl flushing technology generates a forceful swirling motion to keep the bowl cleaner, longer.
- 1.28 gallons per flush (gpf).
- Standard left-hand Polished Chrome trip lever included.
- 2-1/8" fully glazed trapway.
- Comfort Height® feature offers chair-height seating that makes sitting down and standing up easier for most adults.
- Complete Solution® toilets provide everything you need in one box, including bowl, tank, seat, cover, wax ring and floor hardware.

## Technology

- Single-flush gravity uses the force of gravity and a precision-engineered tank, bowl and trapway to create a strong siphon during flushing.
- AquaPiston® canister allows water to flow out of the tank from all sides (360 degrees), increasing the power and effectiveness of the flush.
- Flush valve's 3:2 ratio harnesses the natural force of gravity and optimizes flush performance.
- Durable canister design has 90% less exposed seal material than a 3" flapper, for leak-free performance.
- Light-touch canister flush requires a lower actuation force than a flapper.

## Installation

- Standard 12" rough-in.
- 10" and 14" rough-in kits are also available.
- Supply line not included.

## Recommended Products/Accessories

- K-75796 Cachet® Nightlight Quiet-Close™ Elongated Toilet Seat
- K-5588 Purefresh® Elongated Toilet Seat
- K-5381 14" Rough-in Full Skirt Trap and Attachment System
- K-5383 10" Rough-in Full Skirt Trap and Attachment System



**ADA** **CSA B651** **OBC**

## Codes/Standards

ASME A112.19.2/CSA B45.1  
DOE - Energy Policy Act 1992  
EPA WaterSense®  
California Energy Commission (CEC)  
ADA  
ICC/ANSI A117.1  
CSA B651  
OBC


## KOHLER® One-Year Limited Warranty

See website for detailed warranty information.

## Available Colors/Finishes

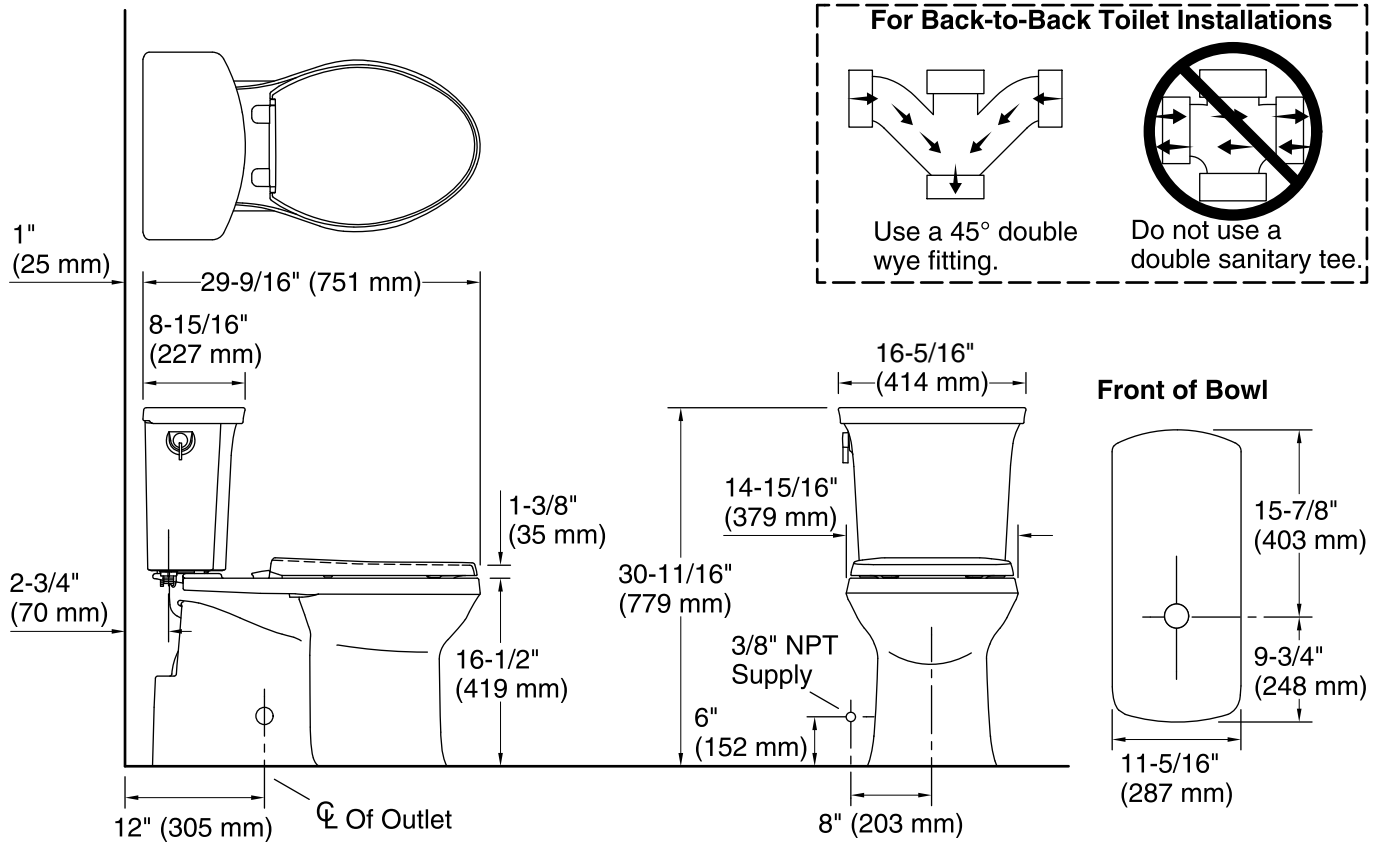
*Color tiles intended for reference only.*

### Color Code Description

 0 White

# KOHLER®

## Transpose™ Comfort Height® The Complete Solution® elongated 1.28 gpf toilet K-45385



### Technical Information

All product dimensions are nominal.

Toilet type:	Two-piece, Floor-mount
Waste Outlet:	Floor
Bowl shape:	Elongated
Flush type:	Gravity siphon jet
Trap passageway:	2-1/8" (54 mm)
Water Consumption	
Full:	1.28 gpf (4.8 lpf)
Water surface size:	9-3/4" x 7-1/4" (248 mm x 184 mm)
Rim to water surface:	6-1/4" (159 mm)
Rough-in:	12" (305 mm)

### Fixture Supply Requirements

Min static pressure:	15 psi (103.4 kPa)
Max static pressure:	80 psi (551.6 kPa)

### Notes

Install this product according to the installation instructions.

For back-to-back installations, the toilet shall be connected to the vertical stack using one of the three following fittings: double fixture fitting, double combination wye and 1/8 bends, or double wye and 1/8 bends.

ADA, OBC, CSA B651 compliant when installed to the specific requirements of these regulations.

Plumbing codes may require elongated toilets and elongated, open-front seats in public bathrooms.

Accessibility standards may require controls to be located on the open side of the toilet.