

Features

- Column lets you customize your shower with a rainhead and handshower
- For use in bath and shower installations with beam shower arm for reduced ceiling height
- Slidebar bracket allows you to adjust height and angle of handshower
- Diverter at the base of the column makes for easy toggling between handshower and rainhead
- Rainhead and handshower sold separately to allow for customized decor
- Includes column, bracket, slidebar and diverter

Material

- Premium metal construction for durability and reliability
- KOHLER finishes resist corrosion and tarnishing

Installation

- Wall-mount
- Installs in less than 60 minutes without changes to in-wall plumbing (subject to condition of existing installation)

Adapters, Rough-in and Extension Kits

1194630 Range: 2-7/8" (73 mm) - 4" (102 mm)

Recommended Products/Accessories

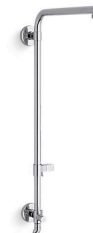
- K-13688 Contemporary round 8" single-function rainhead, 2.5 gpm
- K-13689 Contemporary round 10" single-function rainhead, 2.5 gpm
- K-13692 8" single-function rainhead, 2.5 gpm
- K-13695 Contemporary square 8" single-function rainhead, 2.5 gpm
- K-23723 Faucet cleaner

Optional Products/Accessories

- K-8593 72" Shower Hose
- K-9514 60" Shower Hose
- K-45981 72" ribbon hose
- K-45982 60" ribbon hose
- 1194630
- 1187917
- 1194302

Included Components

- Additional Components:
- Column/slidebar
 - Diverter
 - Handshower bracket



ADA

Codes/Standards

ADA

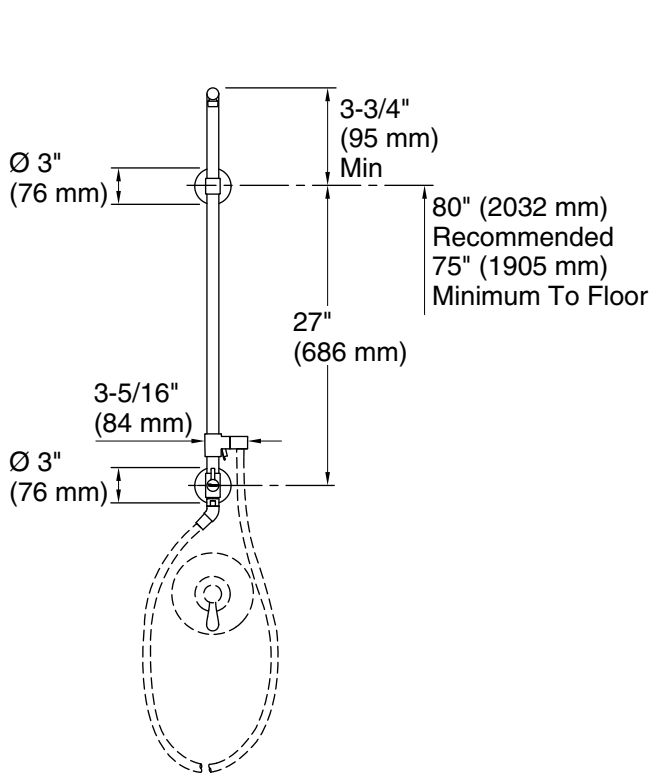
KOHLER® Faucet Lifetime Limited Warranty

See website for detailed warranty information.

Available Colors/Finishes

Color tiles intended for reference only.

| Color | Code | Description |
|-------|------|--------------------------------|
| | CP | Polished Chrome |
| | SN | Vibrant® Polished Nickel |
| | BN | Vibrant® Brushed Nickel |
| | BV | Vibrant® Brushed Bronze |
| | 2BZ | Oil-Rubbed Bronze |
| | BL | Matte Black |
| | 2MB | Vibrant® Brushed Moderne Brass |
| | TT | Vibrant Titanium |

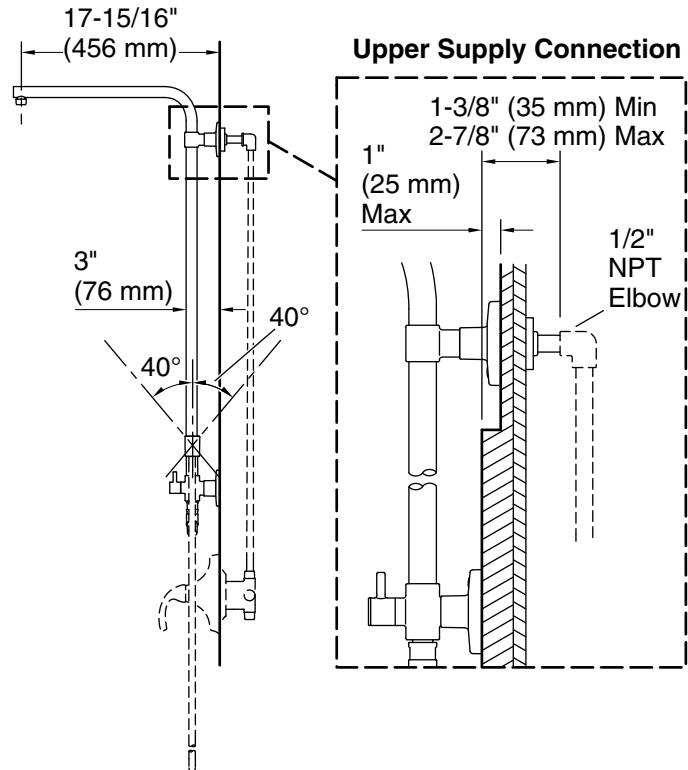


NOTE: Valve trim and hose illustrated for dimensioning only, not included in the product.

Technical Information

All product dimensions are nominal.

Drain included: No



Notes

Install this product according to the installation guide.

Order deep roughing-in kit if the distance from the elbow to the finished wall surface is between 2-7/8" (73 mm) to 4" (102 mm).

Order shallow roughing-in kit if the distance from the elbow to the finished wall surface is less than 1-3/8" (35 mm).

A 3" (76 mm) escutcheon/mounting collar is supplied to fit a 1" (25 mm) to 1-1/4" (32 mm) supply connection hole diameter. Order large escutcheon/mounting collar kit if the supply connection hole diameter is between 1-1/4" (32 mm) to 2-1/4" (57 mm).

ADA compliant when installed to the specific requirements of these regulations.