

### Features

- 36-inch minimum base cabinet width.
- Double equal bowls.
- 6-inch depth.
- Three faucet holes with one accessory hole to the right.
- SilentShield® sound-absorption technology offers quieter performance.
- Includes installation hardware.

### Material

- 19-gauge stainless steel.

### Installation

- Top-mount

### Recommended Products/Accessories

- K-6401 Sink Rack
- K-6377 Sponge Caddy
- K-6378 Kitchen Brush Caddy
- K-6379 Kitchen Squeegee
- K-6382 Disinfecting Wipes Dispenser
- K-6383 Soap Dispenser
- K-8618 Paper Towel Holder
- K-8619 Flexible Kitchen Mat
- K-8801 Sink Strainer
- K-8799 Sink Strainer
- K-8624 Dish Scraper

### Optional Products/Accessories

- K-3294 Cutting Board
- 1177161 Installation Clip Kit

### Included Components

Product consists of:

- 1177160 Hardware Kit, Self-Rimming



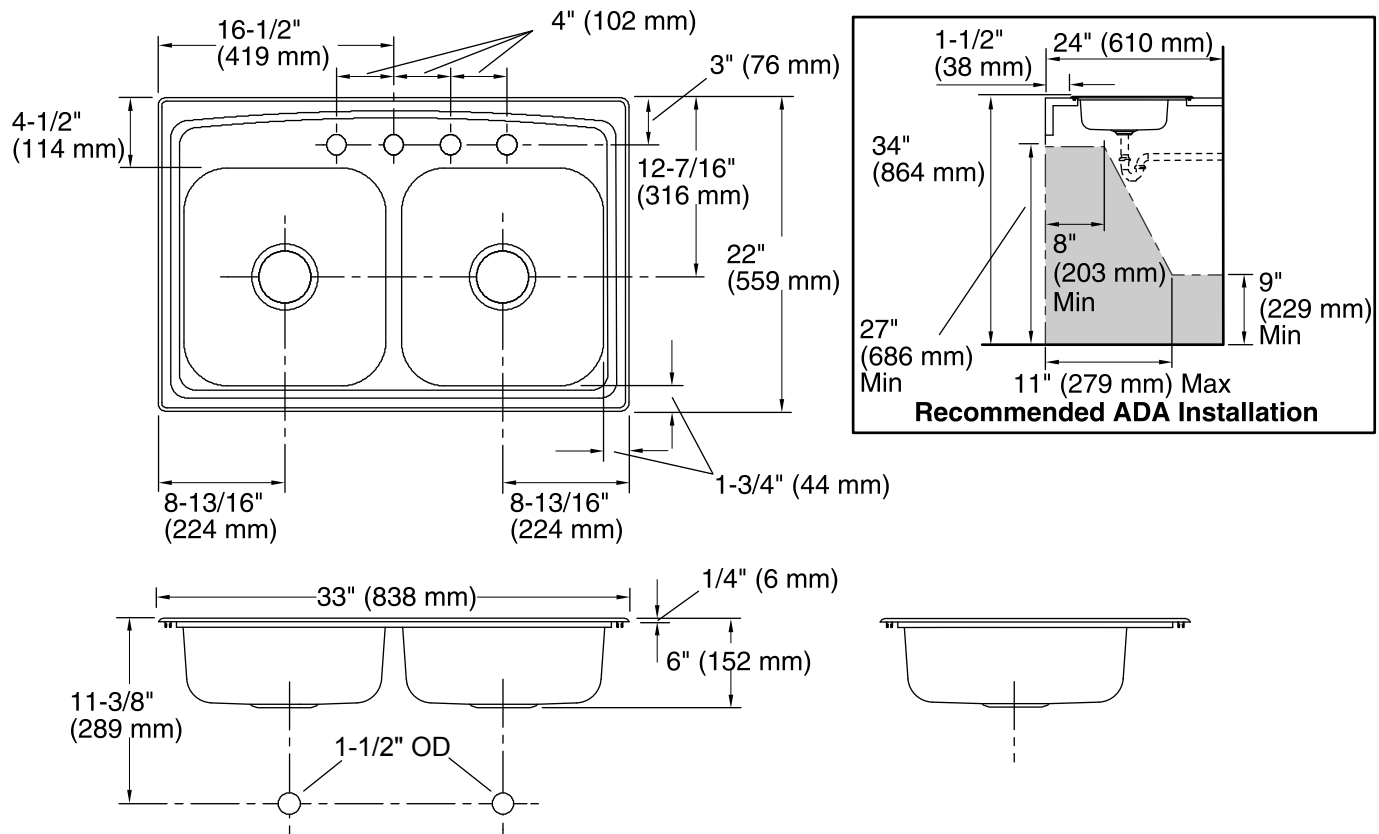
ADA

### Codes/Standards

ASME A112.19.3/CSA B45.4  
ADA  
ICC/ANSI A117.1

### Lifetime Limited Warranty for KOHLER® Stainless Steel Sinks

See website for detailed warranty information.



### Technical Information

All product dimensions are nominal.

Bowl configuration: Double equal

Installation: Top-mount

Cutout: Top-mount, 32-1/2" x 21-1/2" (826 mm x 546 mm) with 1/2" (13 mm) radius corners

Min. base cabinet width: 36" (914 mm)

Bowl area (Left):  
Length: 14-3/16" (360 mm)  
Width: 15-3/4" (400 mm)  
Bowl depth: 6" (152 mm)  
Water depth: 6" (152 mm)

Bowl area (Right):  
Length: 14-3/16" (360 mm)  
Width: 15-3/4" (400 mm)  
Bowl depth: 6" (152 mm)  
Water depth: 6" (152 mm)

Number of deck holes: 4

Faucet hole spacing: 4" (102 mm)

Faucet hole(s): 1-7/16" (37 mm)

Drain hole: 3-5/8" (92 mm)

### Notes

Install this product according to the installation instructions.

ADA compliant when installed to the specific requirements of these regulations.