



Toccata™
Top-mount Kitchen Sink
K-4011-4

Features

- 27-inch minimum base cabinet width.
- Single bowl.
- 6-inch depth.
- Three faucet holes with one accessory hole to the right.
- SilentShield® sound-absorption technology offers quieter performance.
- Includes installation hardware.

Material

- 19-gauge stainless steel.

Installation

- Top-mount

Recommended Products/Accessories

- K-6377 Sponge Caddy
- K-6378 Kitchen Brush Caddy
- K-8801 Sink Strainer
- K-8799 Sink Strainer
- K-6379 Kitchen Squeegee

Optional Products/Accessories

- 1177161 Installation Clip Kit

Included Components

Product consists of:

- 1177160 Hardware Kit, Self-Rimming



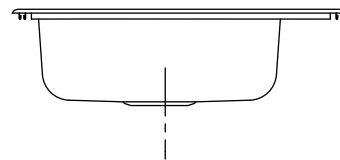
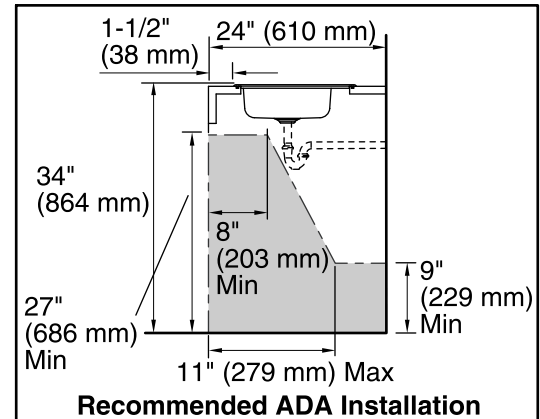
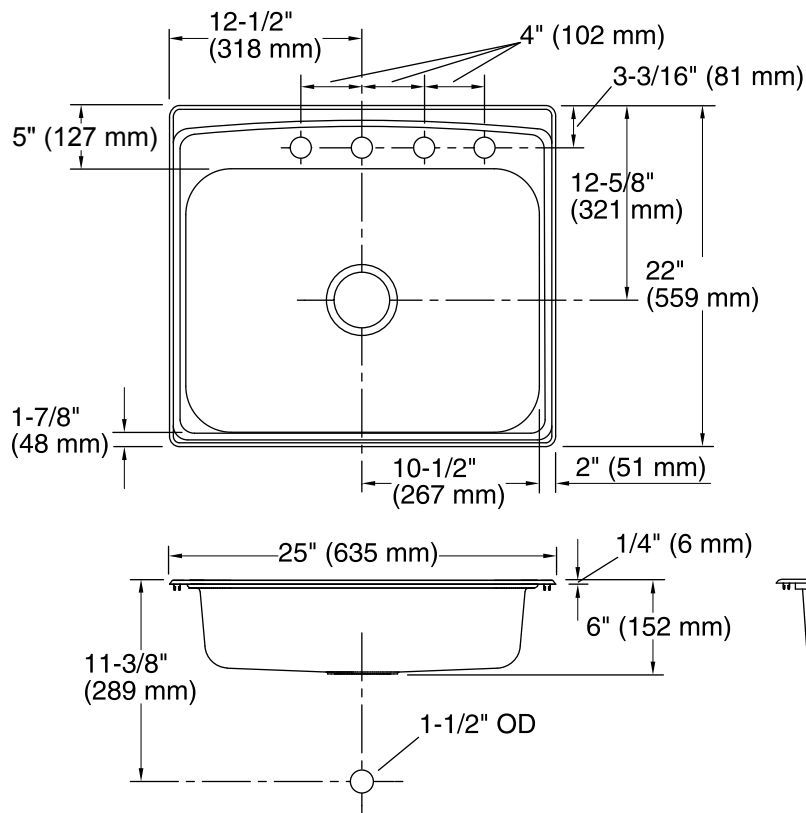
ADA

Codes/Standards

ASME A112.19.3/CSA B45.4
ADA
ICC/ANSI A117.1

**Lifetime Limited Warranty for
KOHLER® Stainless Steel Sinks**

See website for detailed warranty information.



Technical Information

All product dimensions are nominal.

Bowl configuration:	Single
Installation:	Top-mount
Cutout:	Top-mount, 24-1/2" x 21-1/2" (622 mm x 546 mm) with 1/2" (13 mm) radius corners
Min. base cabinet width:	27" (686 mm)
Bowl area:	Length: 21" (533 mm) Width: 15-1/4" (387 mm) Bowl depth: 6" (152 mm)
Number of deck holes:	4
Faucet hole spacing:	4" (102 mm)
Faucet hole(s):	1-7/16" (37 mm)
Drain hole:	3-5/8" (92 mm)

Notes

Install this product according to the installation instructions.

ADA compliant when installed to the specific requirements of these regulations.