



**Reach™**  
One-piece compact elongated dual-flush toilet  
**K-3983-S**

**Features**

- One-piece toilets integrate the tank and bowl into a seamless, easy-to-clean design.
- Compact elongated bowl offers added comfort while occupying the same space as a round-front bowl.
- Top-mount dual-flush actuator offers a choice of 0.8 or 1.28 gallons per flush (gpf).
- Skirted trapway simplifies cleaning.
- Reach Quiet-Close™ elongated seat allows seat to close quietly.

**Installation**

- Standard 12-inch rough-in.
- Supply not included.

**Water Conservation & Rebates**

- WaterSense® toilets meet strict EPA flushing guidelines, including using at least 20 percent less water than 1.6-gallon toilets.

**Recommended Products/Accessories**

- 1023457 Wax Ring/Hardware Kit
- 1265114 Connector Hose



**Codes/Standards**

- ASME A112.19.2/CSA B45.1
- ASME A112.19.14
- DOE - Energy Policy Act 1992
- EPA WaterSense®
- California Energy Commission (CEC)

**KOHLER® One-Year Limited Warranty**

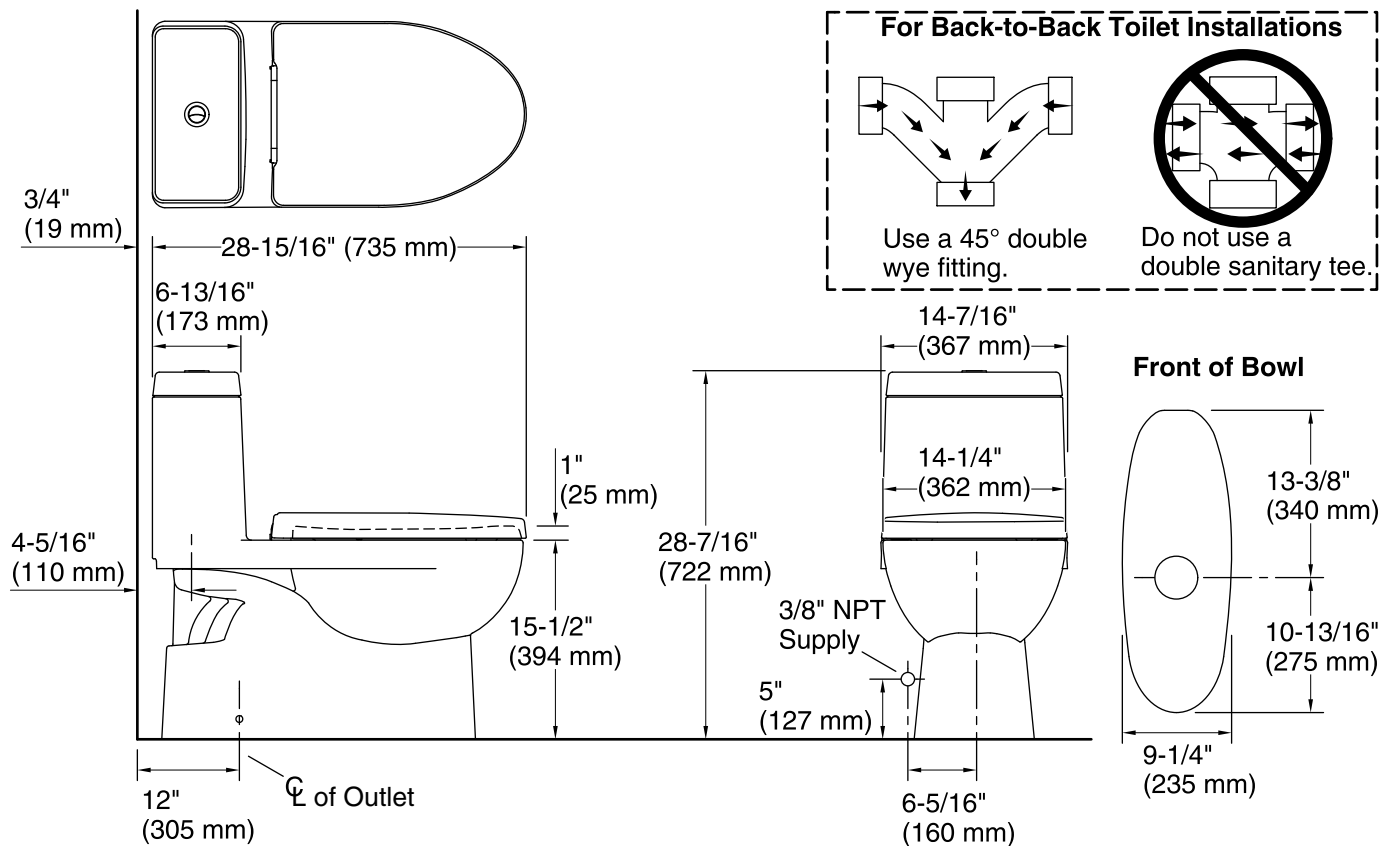
See website for detailed warranty information.

**Available Colors/Finishes**

*Color tiles intended for reference only.*

**Color Code Description**

	0	White
--	---	-------



### Technical Information

All product dimensions are nominal.

Toilet type:	One-piece, Floor-mount
Bowl shape:	Elongated
Flush type:	Gravity siphon jet
Trap passageway:	2-1/8" (54 mm)
Water Consumption	
Full:	1.28 gpf (4.8 lpf)
Reduced:	0.8 gpf (3 lpf)
Rim to water surface:	6-1/4" (159 mm)
Rough-in:	12" (305 mm)

### Fixture Supply Requirements

Min static pressure:	20 psi (137.9 kPa)
Max static pressure:	80 psi (551.6 kPa)

### Notes

Install this product according to the installation instructions.

For back-to-back toilet installations: Use only a 45° double wye fitting.

**IMPORTANT!** The rough-in must be 12" (305 mm) or more from the base of the wall or baseboard. Install or relocate the supply and outlet as necessary to conform to rough-in dimensions.

If this toilet is installed in new construction, install a new supply stop following the dimensions in the diagram.

In installations with the supply stop installed, the existing supply stop may need to be relocated if it is less than 8-1/2" (216 mm) from the centerline of the toilet. Dry fit the toilet to confirm if the supply stop needs to be relocated.