

Features

- 36-inch minimum base cabinet width.
- Large/medium bowls.
- 9-inch depth.
- Short apron allows sink to be used in most standard cabinetry or retrofitted to existing standard cabinetry.
- Self-Trimming apron overlaps the cabinet face for easy installation.
- No faucet holes.
- Smart Divide® features a lower bowl divider that increases workspace and versatility.
- Rear drain increases workspace in the sink and storage space underneath.
- Includes installation hardware and a bottom sink rack.
- SilentShield® sound-absorption technology offers quieter performance.

Material

- Handcrafted from 18-gauge stainless steel.

Installation

- Under-mount apron-front.

Recommended Products/Accessories

K-6476 Sink Rack
K-6477 Sink Rack
K-6377 Sponge Caddy
K-6378 Kitchen Brush Caddy
K-6379 Kitchen Squeegee
K-6382 Disinfecting Wipes Dispenser
K-6383 Soap Dispenser
K-8618 Paper Towel Holder
K-8619 Flexible Kitchen Mat
K-8801 Sink Strainer
K-8799 Sink Strainer
K-8624 Dish Scraper

Optional Products/Accessories

K-6434 Saddle Utility Rack

Included Components

Product consists of:

91915 Hardware Kit
K-6476 Sink Rack

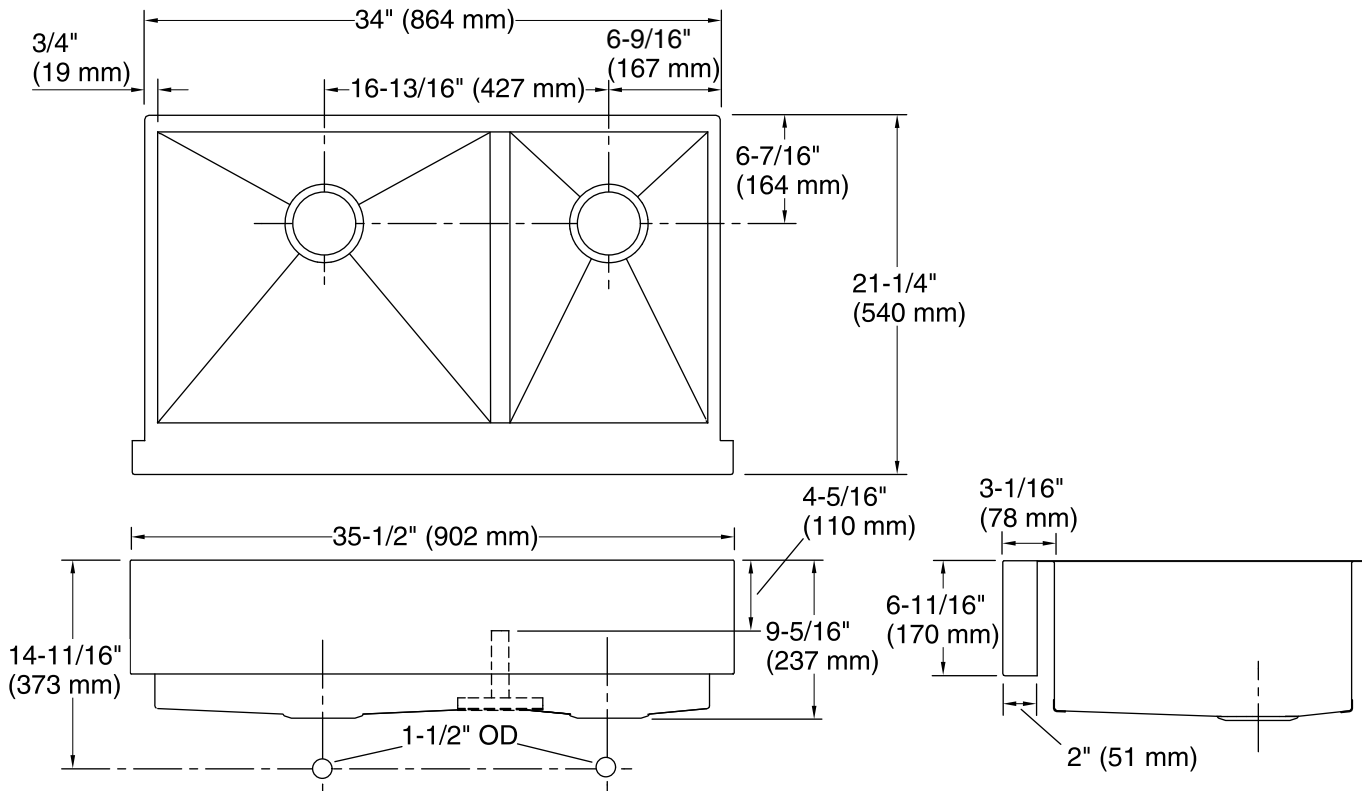


Codes/Standards

ASME A112.19.3/CSA B45.4

Lifetime Limited Warranty for KOHLER® Stainless Steel Sinks

See website for detailed warranty information.



Technical Information

All product dimensions are nominal.

Bowl configuration:	Off-set Large/small
Installation:	Under-mount
Min. base cabinet width:	36" (914 mm)
Bowl area (Left):	Length: 19-11/16" (500 mm) Width: 17-3/16" (437 mm) Bowl depth: 9" (229 mm)
Bowl area (Right):	Length: 11-11/16" (297 mm) Width: 17-3/16" (437 mm) Bowl depth: 9" (229 mm)
Drain hole:	3-11/16" (94 mm)
Template:	1166719-7, required, included

Notes

Install this product according to the installation instructions.

The 3/4" (19 mm) side rim flanges are supported without using the clip attachment. See the installation guide for further instructions.