



Elate® | K-39256-6L

70-1/2" H sliding shower door with 1/4"-thick glass

Features

- Frameless design emphasizes glass and creates a sleek, minimalist look
- Tempered glass ensures enhanced safety and durability
- Shower door configuration consists of one sliding panel and one stationary panel
- Vertical handle with inside knob on moving panel
- CleanCoat®+ glass coating creates a hydrophobic barrier that repels water, soap scum, and residue, saving time and protecting shower doors 10 times longer than original CleanCoat. (Based on 2021 internal wear/abrasion testing using a microfiber cloth.)
- Smooth, easy-to-clean wall jambs
- Full-length moving panel seal provides excellent water containment
- Coordinates with other products in the Elate collection



Available Colors/Finishes

Color tiles intended for reference only.

- SHP Bright Polished Silver
- BL Matte Black
- BNK Anodized Brushed Nickel



1-800-4KOHLER (1-800-456-4537)
Kohler Co. reserves the right to make revisions without notice to product specifications.
For the most current specification sheet, go to www.kohler.com USA or www.kohler.ca Canada.
3-27-2026 15:27 - US-CA

THE BOLD LOOK
OF **KOHLER**

Codes/Standards

ANSI Z97.1 (Tempered Glass)
CAN/CGSB-12.1
CPSC 16CFR 1201

Technical Information

All product dimensions are nominal.

Base-To-Wall Radius - Maximum: 1/2" (13 mm)
Shower Ledge Minimum Flat: 2-1/4" (57 mm)
Shower Wall Minimum Flat: 2-7/8" (73 mm)
Weight: 74.5 lbs (33.8 kg)

Material

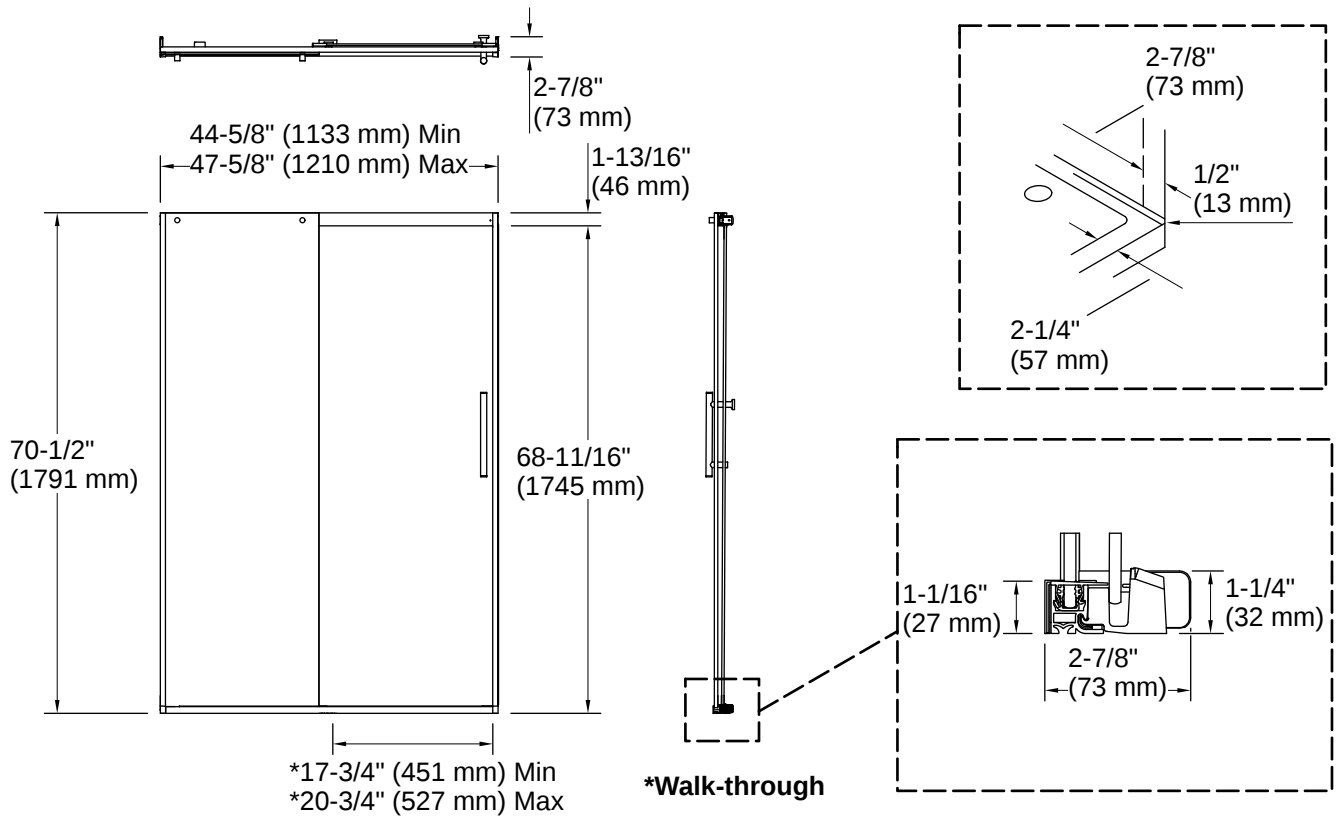
- Frameless, 1/4" (6 mm) thick Crystal Clear tempered glass
 - Anodized aluminum prevents rust and corrosion
-

Warranty

See website for detailed warranty information.

KOHLER® Bath and Shower Doors Ten-Year Limited Warranty





Installation

- 70-1/2" (1791 mm) high, with 68-11/16" (1745 mm) minimum head clearance
- Fits opening widths 44-5/8" – 47-5/8" (1133 – 1210 mm)
- 3" (76 mm) width adjustment
- Out-of-plumb adjustability simplifies installation
- Door can be installed to open to the left or right to suit your bathroom layout
- For residential use only
- Not for use in hospitality

Installation Notes

Install this product according to the installation instructions.

The vertical opening should be a minimum of 73-1/2" (1867 mm) to allow for installation clearance.

