



**Toccata™**  
Top-mount Kitchen Sink  
**K-3847-4**

**Features**

- 36-inch minimum base cabinet width.
- Double equal bowls.
- 9-inch depth.
- Three faucet holes with one accessory hole to the right.
- SilentShield® sound-absorption technology offers quieter performance.

**Material**

- 18-gauge stainless steel.

**Installation**

- Top-mount

**Recommended Products/Accessories**

- 1177161 Installation Clip Kit
- K-6401 Sink Rack
- K-6377 Sponge Caddy
- K-6378 Kitchen Brush Caddy
- K-6379 Kitchen Squeegee
- K-6382 Disinfecting Wipes Dispenser
- K-6383 Soap Dispenser
- K-8618 Paper Towel Holder
- K-8619 Flexible Kitchen Mat
- K-8624 Dish Scraper
- K-8801 Sink Strainer
- K-8799 Sink Strainer

**Optional Products/Accessories**

- K-3294 Cutting Board
- K-6139 Sponge Caddy

**Included Components**

Product consists of:

- 1177160 Hardware Kit, Self-Rimming

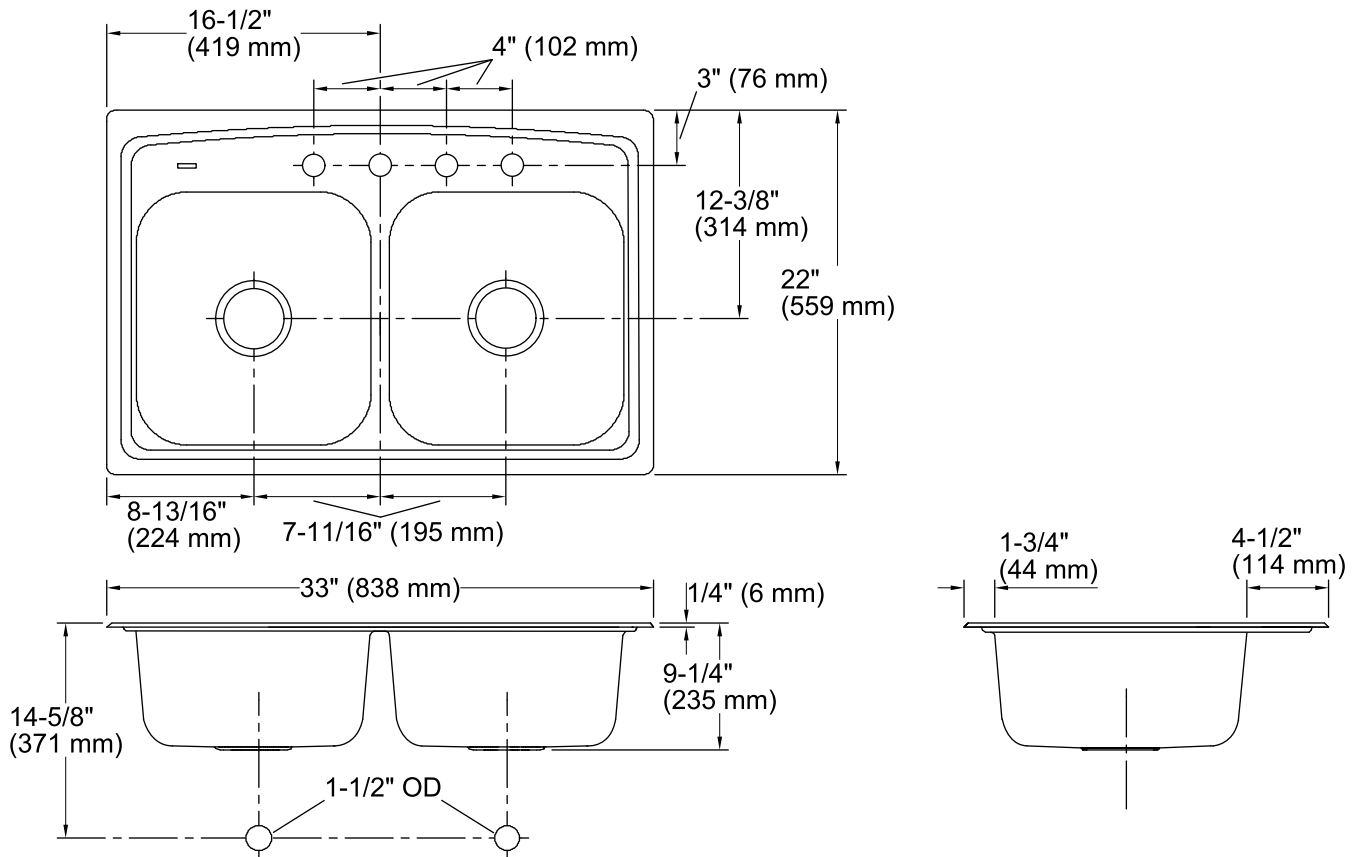


**Codes/Standards**

ASME A112.19.3/CSA B45.4

**Lifetime Limited Warranty for  
KOHLER® Stainless Steel Sinks**

See website for detailed warranty information.



## Technical Information

All product dimensions are nominal.

Bowl configuration:	Double equal
Installation:	Top-mount
Cutout:	Top-mount, 32-1/2" x 21-1/2" (826 mm x 546 mm) with 1/2" (13 mm) radius corners
Min. base cabinet width:	36" (914 mm)
Bowl area (Left):	Length: 14-3/16" (360 mm) Width: 15-3/4" (400 mm) Bowl depth: 9" (229 mm)
Bowl area (Right):	Length: 14-3/16" (360 mm) Width: 15-3/4" (400 mm) Bowl depth: 9" (229 mm)
Number of deck holes:	4
Faucet hole spacing:	4" (102 mm)
Faucet hole(s):	1-7/16" (37 mm)
Drain hole:	3-5/8" (92 mm)

## Notes

Install this product according to the installation instructions.