

## Features

- 36-inch minimum base cabinet width.
- Double equal bowls.
- 9-inch depth.
- No faucet holes.
- SilentShield® sound-absorption technology offers quieter performance.
- Includes two bottom sink racks and sponge caddy.

## Material

- 18-gauge stainless steel.

## Installation

- Under-mount

## Recommended Products/Accessories

- K-8801 Sink Strainer
- K-8799 Sink Strainer

## Included Components

Product consists of:

- K-6453 Right-Bowl Sink Rack
- K-6483 Sink Rack
- 91915 Hardware Kit
- K-6139 Sponge Caddy

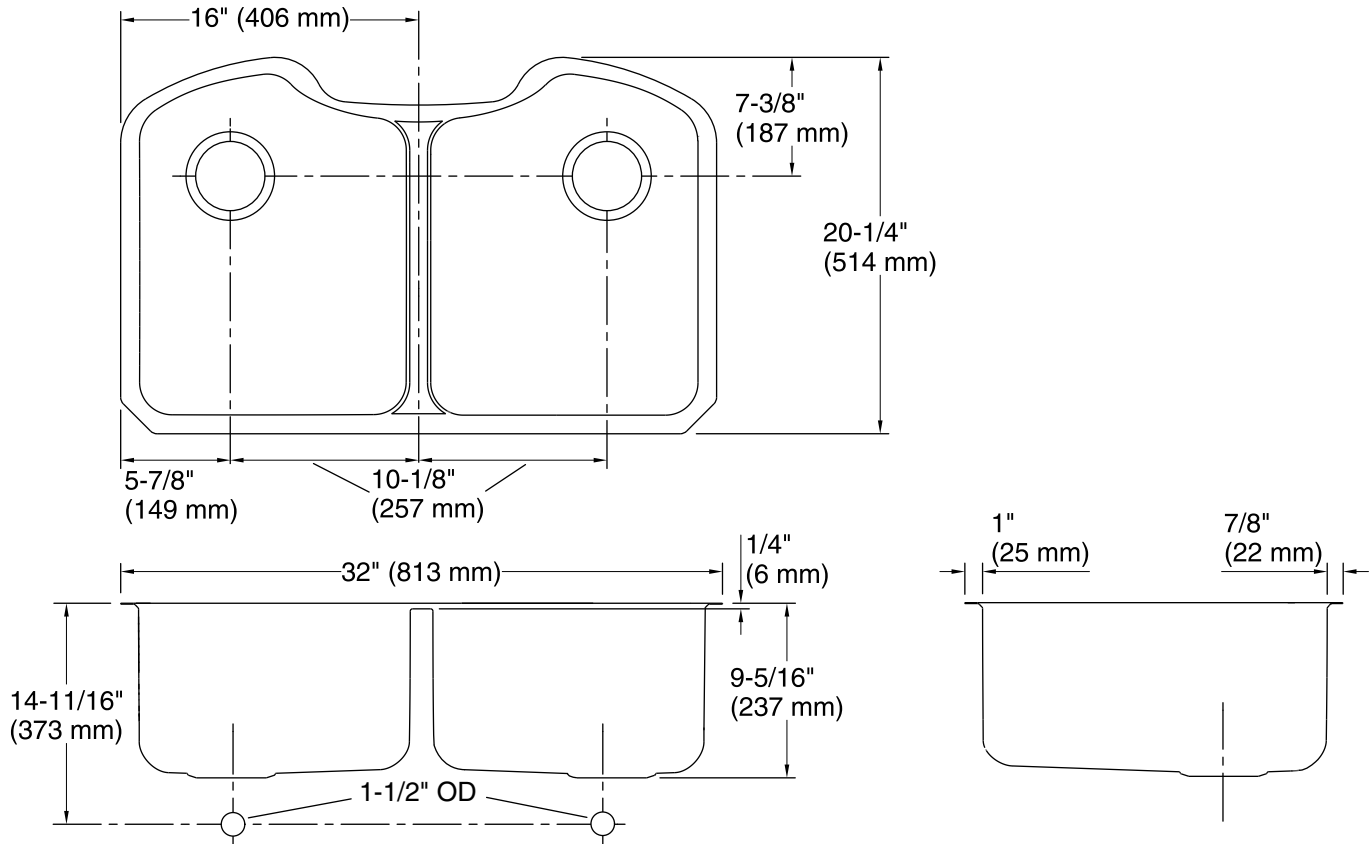


## Codes/Standards

ASME A112.19.3/CSA B45.4

## Lifetime Limited Warranty for KOHLER® Stainless Steel Sinks

See website for detailed warranty information.



## Technical Information

All product dimensions are nominal.

Bowl configuration: Double equal

Installation: Under-mount

Min. base cabinet width: 36" (914 mm)

Bowl area (Left): Length: 14-3/8" (365 mm)  
Width: 18-5/16" (465 mm)  
Bowl depth: 9" (229 mm)

Bowl area (Right): Length: 14-3/8" (365 mm)  
Width: 18-5/16" (465 mm)  
Bowl depth: 9" (229 mm)

Drain hole: 3-5/8" (92 mm)

Template: 1181611-7, required, included

## Notes

Install this product according to the installation instructions.