

Features

- 36-inch minimum base cabinet width.
- Double equal bowls.
- 9-inch depth.
- Three faucet holes with one accessory hole to the right.
- SilentShield® sound-absorption technology offers quieter performance.
- Includes bottom sink rack and sponge caddy.

Material

- 18-gauge stainless steel.

Installation

- Dual-mount sink can be installed as top-mount or under-mount.
- Includes top-mount installation hardware.
- Under-mount installation hardware not included.

Recommended Products/Accessories

K-8801 Sink Strainer
K-8799 Sink Strainer

Optional Products/Accessories

K-6453 Right-Bowl Sink Rack

Included Components

Additional Components:

1177160 Hardware Kit, Self-Rimming
K-6139 Sponge Caddy
K-6483 Sink Rack

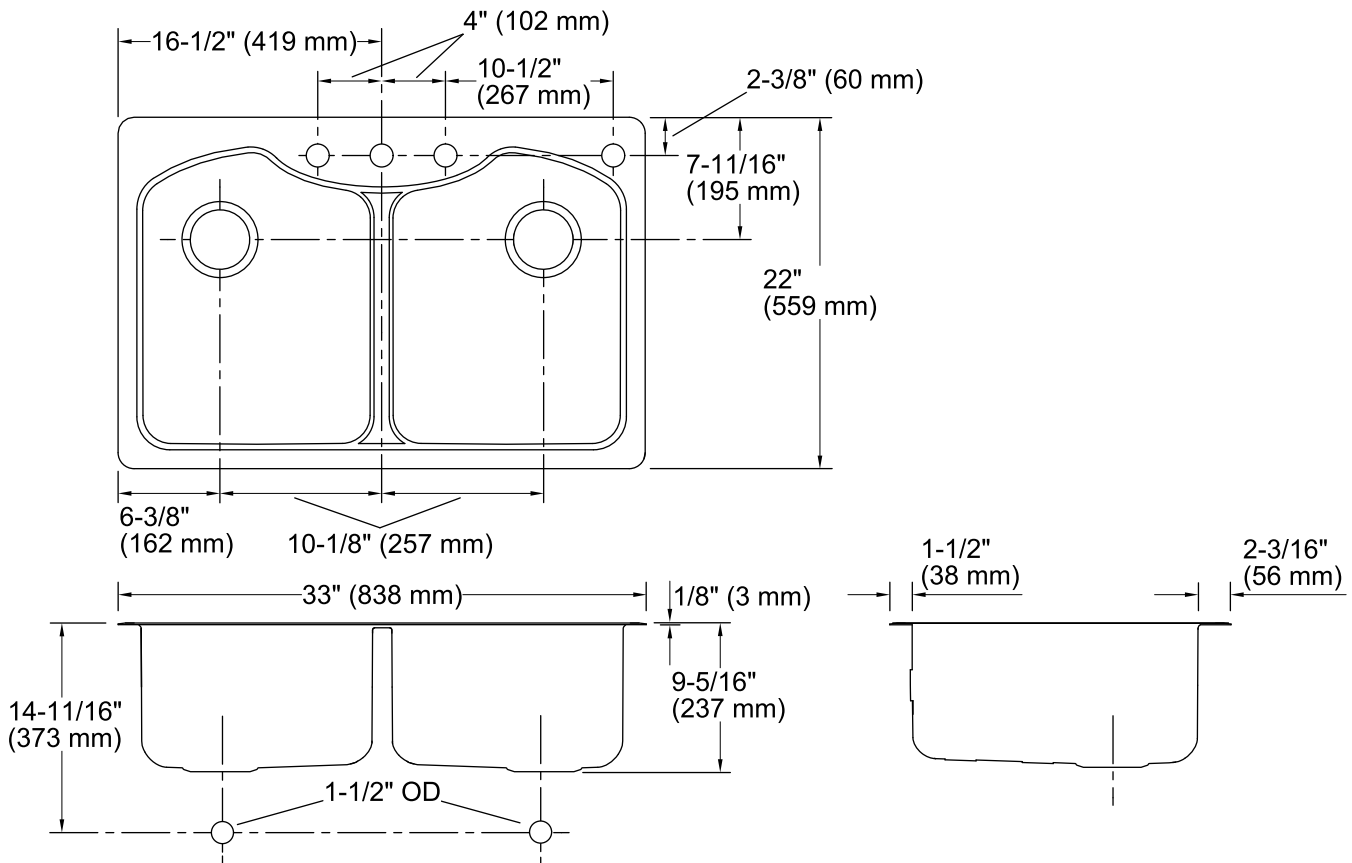


Codes/Standards

ASME A112.19.3/CSA B45.4

Lifetime Limited Warranty for KOHLER® Stainless Steel Sinks

See website for detailed warranty information.



Technical Information

All product dimensions are nominal.

Bowl configuration:	Double equal
Installation:	Top-mount, Under-mount
Cutout:	Top-mount, 32-1/2" x 21-1/2" (826 mm x 546 mm) with 3/4" (19 mm) radius corners
Min. base cabinet width:	36" (914 mm)
Bowl area (Left):	Length: 14-3/8" (365 mm) Width: 18-5/16" (465 mm) Bowl depth: 9" (229 mm)
Bowl area (Right):	Length: 14-3/8" (365 mm) Width: 18-5/16" (465 mm) Bowl depth: 9" (229 mm)
Number of deck holes:	4
Faucet hole spacing:	4" (102 mm)
Faucet hole(s):	1-7/16" (37 mm)
Drain hole:	3-5/8" (92 mm)

Notes

Install this product according to the installation instructions.