



Vault™

Under-Mount Kitchen Sink

K-3821

Features

- 36-inch minimum base cabinet width.
- Large single bowl.
- 9-inch depth.
- No faucet holes.
- Rear drain increases workspace in the sink and storage space underneath.
- SilentShield® sound-absorption technology offers quieter performance.
- Includes installation hardware.

Material

- Handcrafted from 18-gauge stainless steel.

Installation

- Under-mount

Recommended Products/Accessories

K-8801 Sink Strainer
K-8799 Sink Strainer

Optional Products/Accessories

K-6429 Utility Rack
K-6667 Wood Cutting Board
K-6644 Sink Rack

Included Components

Product consists of:
91915 Hardware Kit

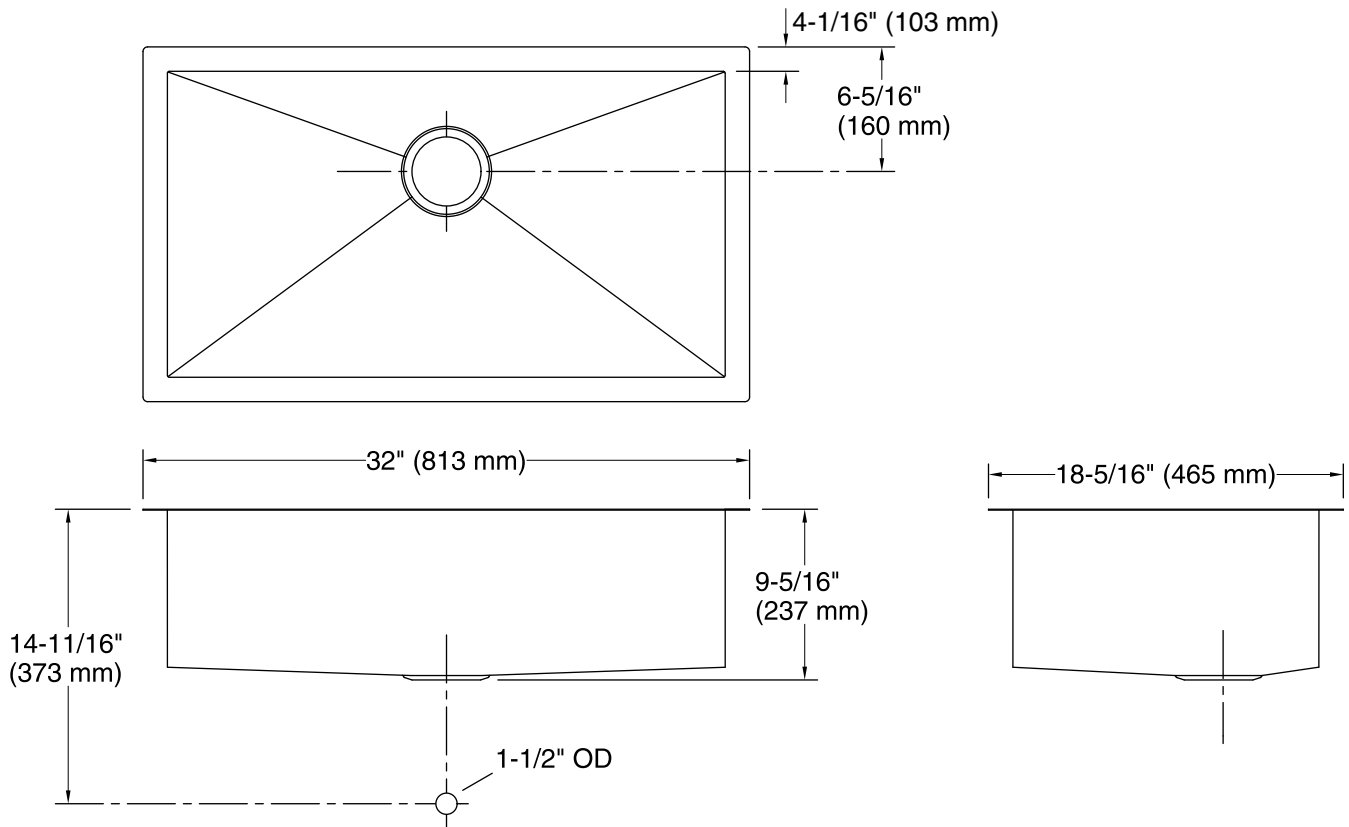


Codes/Standards

ASME A112.19.3/CSA B45.4

Lifetime Limited Warranty for KOHLER® Stainless Steel Sinks

See website for detailed warranty information.



Technical Information

All product dimensions are nominal.

| | |
|--------------------------|---|
| Bowl configuration: | Single |
| Installation: | Under-mount |
| Min. base cabinet width: | 36" (914 mm) |
| Bowl area (Only): | Length: 30-1/4" (768 mm) Width: 16-9/16" (420 mm) Bowl depth: 9" (229 mm) Water depth: 9" (229 mm) |
| Drain hole: | 3-7/8" (98 mm) |
| Template: | 1207216-7, required, included |

Notes

Install this product according to the installation instructions.

Allow 3/4" (19 mm) clearance beyond the back of the bowl for the wood cutting board (optional accessory).