



# Santa Rosa™ Comfort Height®

one-piece compact elongated 1.6 gpf toilet  
K-3811

## Features

- One-piece toilets integrate the tank and bowl into a seamless, easy-to-clean design.
- Compact elongated bowl offers added comfort while occupying the same space as a round-front bowl.
- Comfort Height® feature offers chair-height seating that makes sitting down and standing up easier for most adults.
- 1.6 gallons per flush (gpf).
- 2-1/8-inch glazed trapway.
- Standard left-hand trip lever included.
- Includes Brevia™ Quiet-Close™ seat.

## Technology

- Single-flush gravity uses the force of gravity and a precision-engineered tank, bowl, and trapway to create a strong siphon during flushing.
- AquaPiston canister allows water to flow into the bowl from all sides (360 degrees), increasing the power and effectiveness of the flush.
- Flush valve's 3:2 ratio harnesses the natural force of gravity and optimizes flush performance.
- Durable canister design has 90% less exposed seal material than a 3-inch flapper, for leak-free performance.
- Light-touch canister flush requires a lower actuation force than a flapper.
- AquaPiston canister flush valve optimizes flush performance and resists warping and deterioration.

## Installation

- Standard 12-inch rough-in.
- Supply line not included.

## Recommended Products/Accessories

K-75796 Cachet® Nightlight Quiet-Close™ Elongated Toilet Seat  
 K-8298 C³®-155 elongated cleansing toilet seat  
 K-5420 Low-Profile Bolt Caps  
 K-9169-L Trip lever  
 1023457 Wax Ring/Hardware Kit  
 1265114 Connector Hose

## Included Components

Additional Components:  
 Bolt cap accessory pack  
 Tank accessory pack  
 Tank cover  
 Trip lever



**ADA** **CSA B651** **OBC**

## Codes/Standards

ASME A112.19.2/CSA B45.1  
 DOE - Energy Policy Act 1992  
 ADA  
 ICC/ANSI A117.1  
 CSA B651  
 OBC

## KOHLER® One-Year Limited Warranty

See website for detailed warranty information.

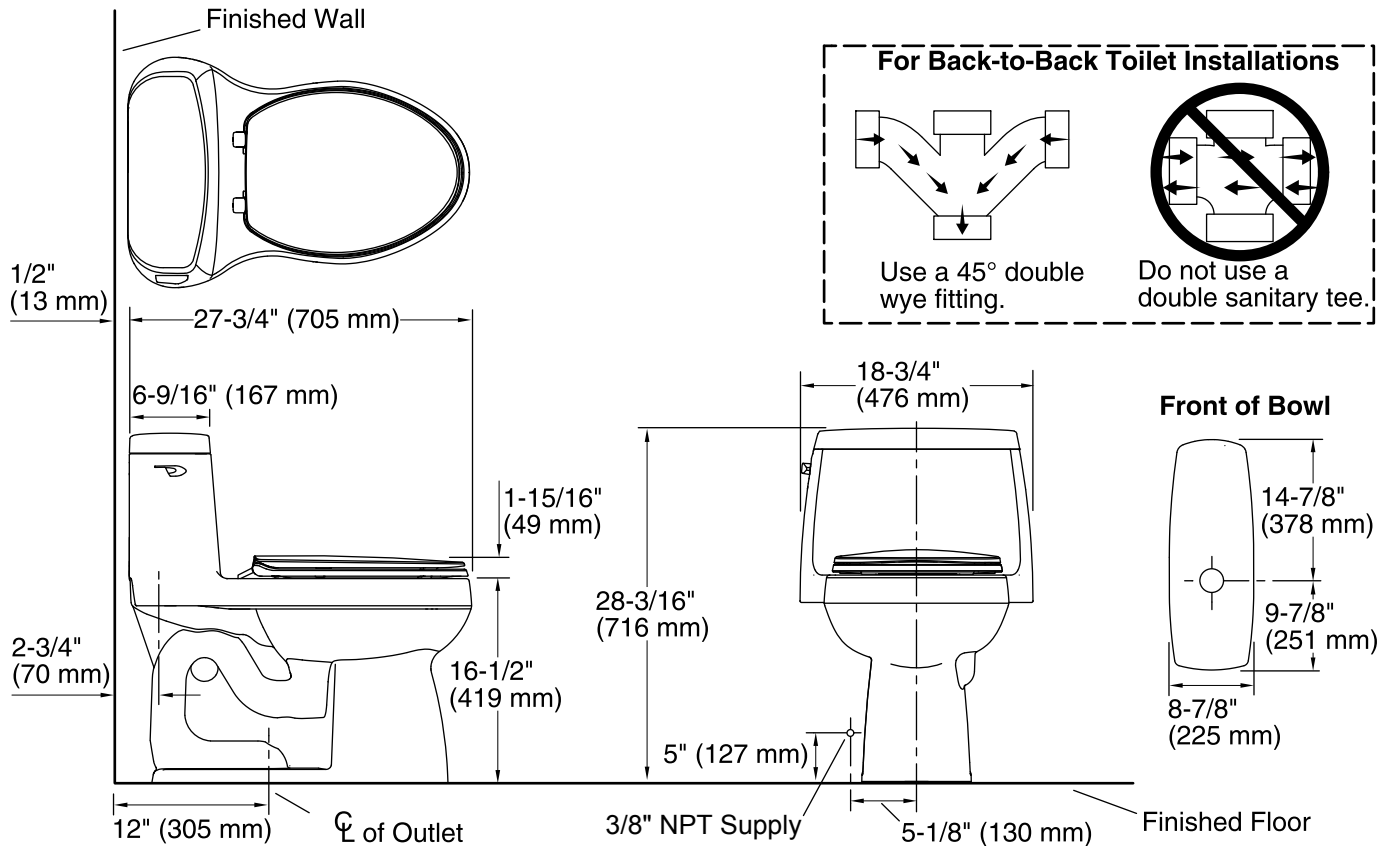
## Available Colors/Finishes

*Color tiles intended for reference only.*

Color	Code	Description
	0	White
	96	Biscuit
	47	Almond
	NY	Dune
	95	Ice™ Grey
	G9	Sandbar
	7	Black Black™



**Santa Rosa™ Comfort Height®**  
 one-piece compact elongated 1.6 gpf toilet  
**K-3811**



**Technical Information**

All product dimensions are nominal.

Toilet type: One-piece, Floor-mount

Waste Outlet: Floor

Flush type: AquaPiston®

Trap passageway: 2-1/8" (54 mm)

Water Consumption

Full: 1.6 gpf (6 lpf)

Water surface size: 11" x 8-1/8" (279 mm x 206 mm)

Rim to water surface: 6-1/4" (159 mm)

Rough-in: 12" (305 mm)

Seat-mounting holes: 5-1/2" (140 mm)

**Notes**

Install this product according to the installation instructions.

For back-to-back toilet installations: Use only a 45° double wye fitting.

The model is acceptable for left-hand Accessible compartment installations only.

ADA, OBC, CSA B651 compliant when installed to the specific requirements of these regulations.

Plumbing codes may require elongated toilets and elongated, open-front seats in public bathrooms.

Accessibility standards may require controls to be located on the open side of the toilet.