



8 Degree™ Under-Mount Bar Sink K-3671

Features

- 21-inch minimum base cabinet width.
- Single bowl.
- 9-3/4-inch depth provides generous workspace.
- No faucet holes.
- Includes installation hardware, wineglass rack, and bottom sink rack.

Material

- Handcrafted from 16-gauge stainless steel.

Installation

- Under-mount

Recommended Products/Accessories

- K-8801 Sink Strainer
- K-8799 Sink Strainer

Optional Products/Accessories

- K-3140 Cutting Board

Included Components

Product consists of:

- K-6134 Sink Rack
- 91915 Hardware Kit
- K-6133 Wine Glass Rack



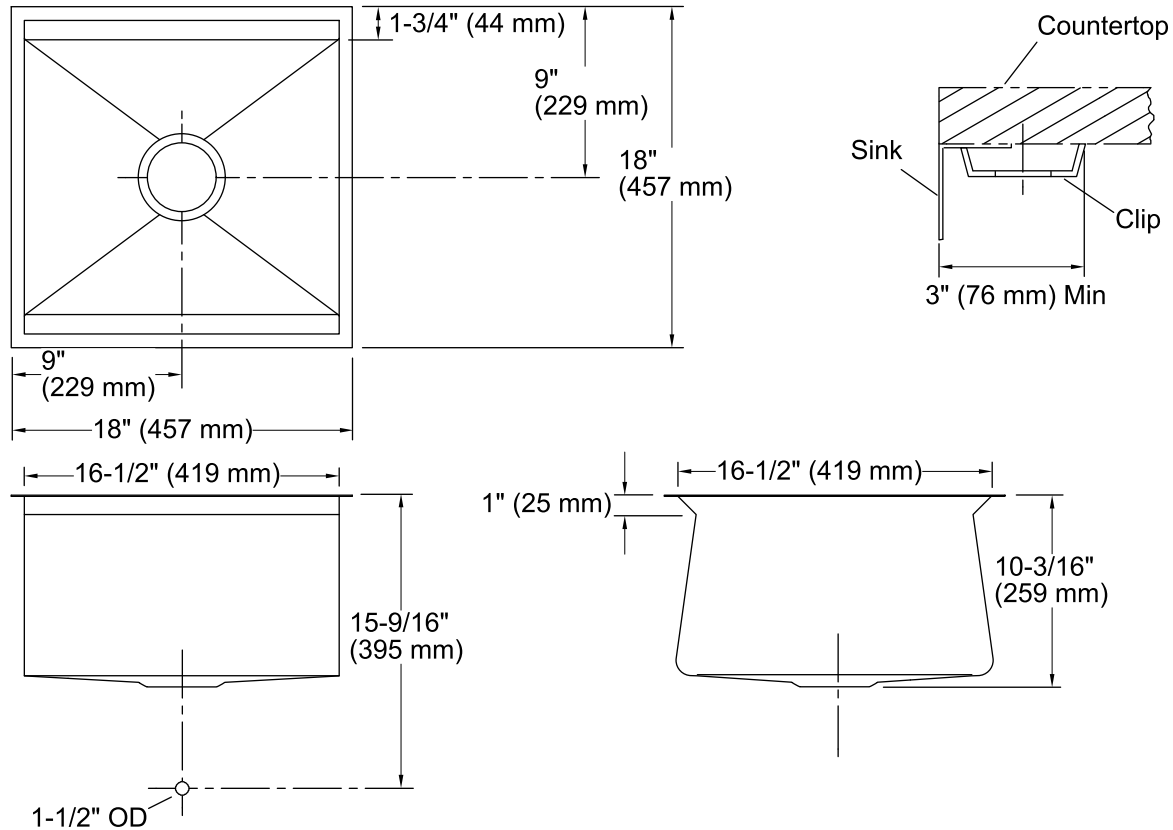
ADA

Codes/Standards

ASME A112.19.3/CSA B45.4
ADA
ICC/ANSI A117.1

Lifetime Limited Warranty for KOHLER® Stainless Steel Sinks

See website for detailed warranty information.



Technical Information

All product dimensions are nominal.

Bowl configuration:	Single
Installation:	Under-mount
Min. base cabinet width:	21" (533 mm)
Bowl area (Only):	Length: 16-1/2" (419 mm) Width: 16-1/2" (419 mm) Bowl depth: 9-3/4" (248 mm)
Drain hole:	3-5/8" (92 mm)
Template:	1093326-7, required, included

Notes

Install this product according to the installation instructions.

Allow a minimum of 3" (76 mm) clearance around the sink rim for clip attachment.

ADA compliant when installed to the specific requirements of these regulations.

ADA permits a parallel approach to wet bars.