



# Audrine™ | K-36254

33" undermount single-bowl kitchen sink

## Features

- Designed in collaboration with Studio McGee
- Single bowl
- 9" (229 mm) depth provides generous workspace
- Rear drain increases workspace in the sink and allows for more storage space underneath the sink
- Bowl slopes toward drain to minimize water pooling
- 36" (914 mm) minimum base cabinet width
- Box Includes: Sink, color-matched sink rack
- Sink drain with strainer sold separately



## Available Colors/Finishes

*Color tiles intended for reference only.*

- 0 White
- NY Dune



1-800-4KOHLER (1-800-456-4537)  
Kohler Co. reserves the right to make revisions without notice to product specifications.  
For the most current specification sheet, go to [www.kohler.com](http://www.kohler.com) USA or [www.kohler.ca](http://www.kohler.ca) Canada.  
3-27-2026 14:23 - US-CA

THE BOLD LOOK  
OF **KOHLER**

---

## Codes/Standards

ASME A112.19.2/CSA B45.1

---

## Technical Information

*All product dimensions are nominal.*

Drain Hole Diameter:	3-7/8" (98 mm)
Minimum Base Cabinet Width:	36" (914 mm)
Basin Configuration:	Single Bowl
Basin Length:	29-7/8" (759 mm)
Basin Width:	15-1/2" (394 mm)
Basin Depth:	9" (229 mm)

---

## Material

- Fireclay
  - Durable and built to withstand day-to-day cleaning tasks
  - Heat-resistant up to 750°F
  - Scratch-, stain-, chip-, and thermal-shock-resistant
- 

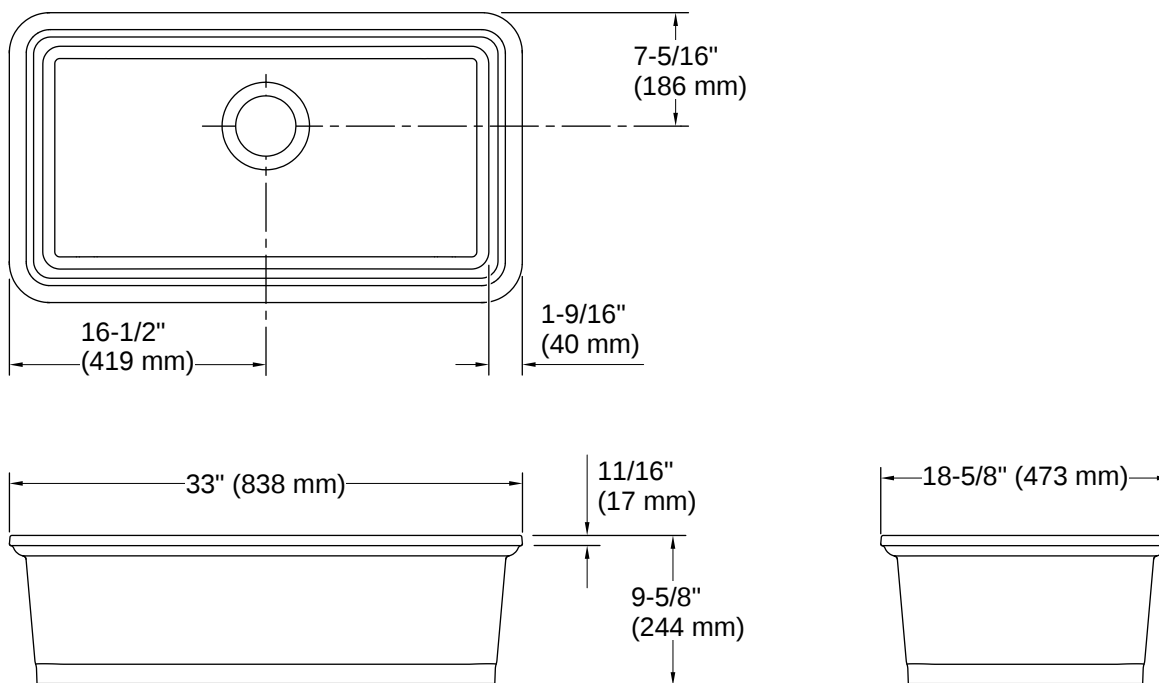
## Warranty

*See website for detailed warranty information.*

KOHLER® Vitreous China Bathroom Sink Lifetime Limited Warranty



1-800-4KOHLER (1-800-456-4537)  
Kohler Co. reserves the right to make revisions without notice to product specifications.  
For the most current specification sheet, go to [www.kohler.com](http://www.kohler.com) USA or [www.kohler.ca](http://www.kohler.ca) Canada.  
3-27-2026 14:23 - US-CA



## Installation

- Undermount

## Installation Notes

*Install this product according to the installation instructions.*

We recommend measuring the actual sink to be installed to create the countertop cut out to ensure exact fit

