



Audrine™ | K-36251

32-1/2" undermount single-bowl farmhouse kitchen sink

Features

- Designed in collaboration with Studio McGee
- Single bowl
- 9" (229 mm) depth provides generous workspace
- Rear drain increases workspace in the sink and allows for more storage space underneath the sink
- Bowl slopes toward drain to minimize water pooling
- Fits minimum 33" (838 mm) apron sink base cabinet
- Self-Trimming® apron overlaps cabinet face for easy installation and beautiful results
- Box Includes: Sink, color-matched sink rack
- Sink drain with strainer sold separately



Available Colors/Finishes

Color tiles intended for reference only.

- 0 White
- NY Dune



1-800-4KOHLER (1-800-456-4537)
Kohler Co. reserves the right to make revisions without notice to product specifications.
For the most current specification sheet, go to www.kohler.com USA or www.kohler.ca Canada.
3-27-2026 16:55 - US-CA

THE BOLD LOOK
OF **KOHLER**

Codes/Standards

ASME A112.19.2/CSA B45.1

Technical Information

All product dimensions are nominal.

Drain Hole Diameter:	3-7/8" (98 mm)
Minimum Base Cabinet Width:	33" (838 mm)
Basin Configuration:	Single Bowl
Basin Length:	25-13/16" (655 mm)
Basin Width:	18" (458 mm)
Basin Depth:	9" (229 mm)

Material

- Fireclay
 - Durable and built to withstand day-to-day cleaning tasks
 - Heat-resistant up to 750°F
 - Scratch-, stain-, chip-, and thermal-shock-resistant
-

Recommended Products/Accessories

K-23725 Cast iron cleaner

K-23726 Drain treatment

K-9000 Adjustable P-trap with tubing outlet, 1-1/2" x 1-1/2"

Warranty

See website for detailed warranty information.

KOHLER® Vitreous China Bathroom Sink Lifetime Limited Warranty

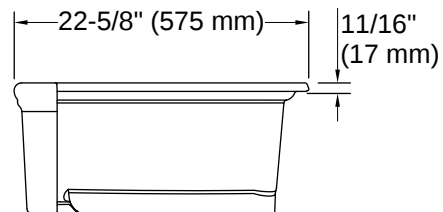
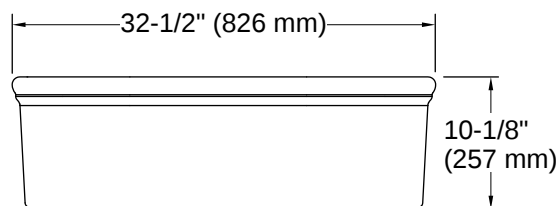
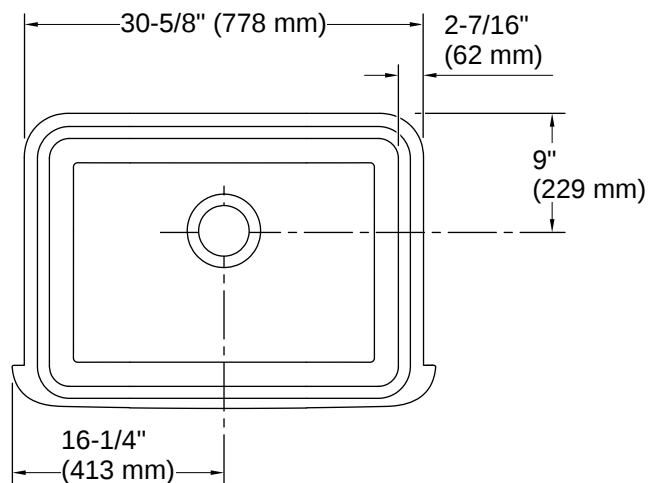


1-800-4KOHLER (1-800-456-4537)

Kohler Co. reserves the right to make revisions without notice to product specifications.

For the most current specification sheet, go to www.kohler.com USA or www.kohler.ca Canada.

3-27-2026 16:55 - US-CA



Installation Notes

Install this product according to the installation instructions.

We recommend measuring the actual sink to be installed to create the countertop cut out to ensure exact fit

