



San Raphael® Comfort Height®

one-piece elongated 1.0 gpf toilet
K-3597-NF

Features

- Vitreous china.
- Elongated bowl.
- Comfort Height®.
- 12" (305 mm) rough-in.
- One-piece.
- Includes seat and cover.
- Equipped with Sloan FLUSHMATE® Pressure Vessel.
- 1.0 gpf (3.8 lpf).
- 9" (229 mm) x 7" (178 mm) water area.
- 30" (762 mm) x 19-1/2" (495 mm) x 21-1/2" (546 mm).

Recommended Products/Accessories

- K-7637 Angle Supply with Stop (single)
- K-75796 Cachet® Nightlight Quiet-Close™ Elongated Toilet Seat
- K-4108 C³®-230 elongated cleansing toilet seat
- K-5420 Low-Profile Bolt Caps
- 1023457 Wax Ring/Hardware Kit
- 1265114 Connector Hose

Included Components

Additional Components:

- Bolt cap accessory pack
- Tank accessory pack
- Tank cover
- Toilet seat



ADA **CSA B651** **OBC**

Codes/Standards





- ASME A112.19.2/CSA B45.1
- DOE - Energy Policy Act 1992
- EPA WaterSense®
- ADA
- ICC/ANSI A117.1
- CSA B651
- OBC

KOHLER® One-Year Limited Warranty

See website for detailed warranty information.

Available Colors/Finishes

Color tiles intended for reference only.

| Color | Code | Description |
|--|------|--------------|
|  | 0 | White |
|  | 96 | Biscuit |
|  | 47 | Almond |
|  | 7 | Black Black™ |

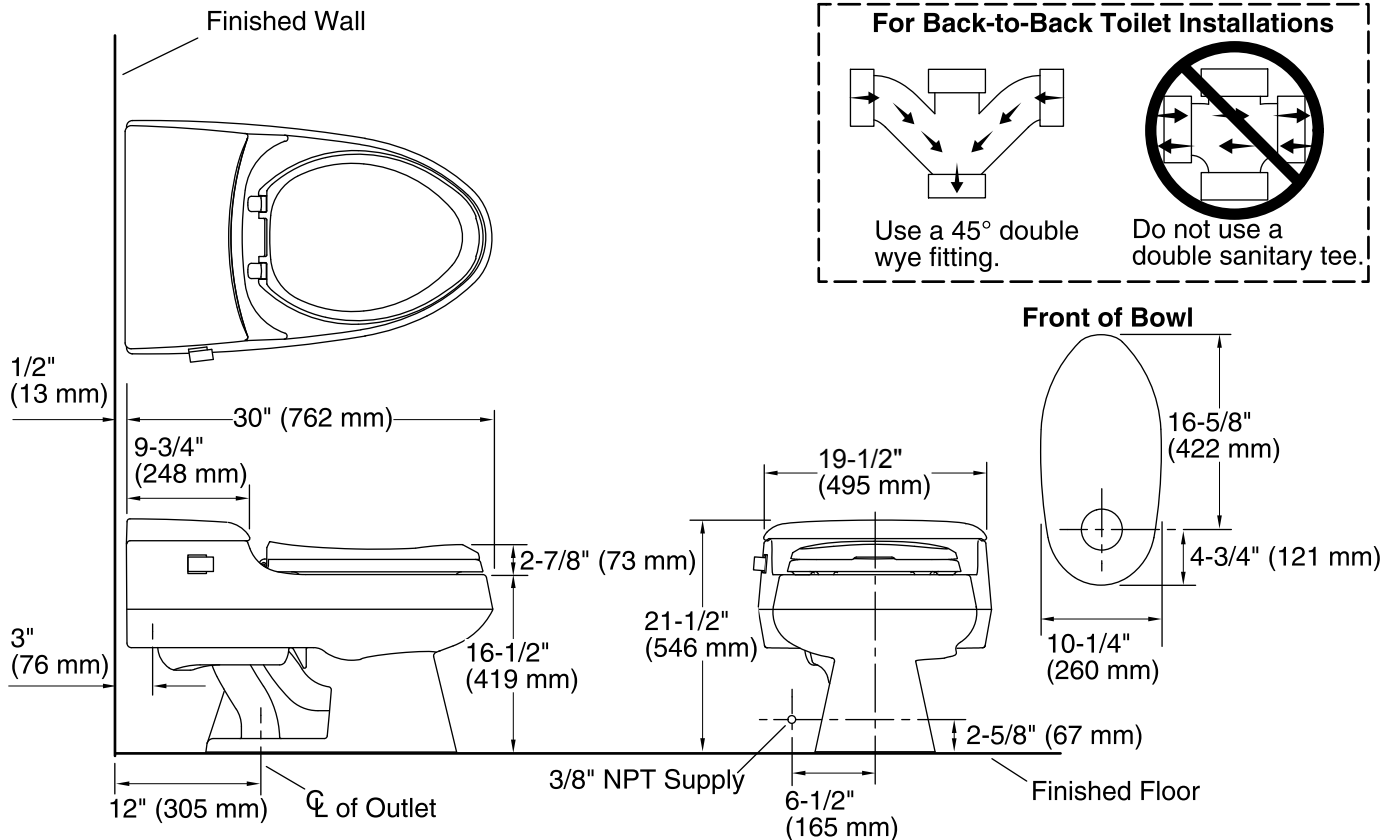
1-800-4KOHLER (1-800-456-4537)

Kohler Co. reserves the right to make revisions without notice to product specifications.

For the most current Specification Sheet, go to www.kohler.com.

9-7-2019 09:38 - US/CA

THE BOLD LOOK
OF **KOHLER**®



Technical Information

All product dimensions are nominal.

| | |
|-----------------------|---------------------------|
| Toilet type: | One-piece, Floor-mount |
| Waste Outlet: | Floor |
| Bowl shape: | Elongated |
| Flush type: | Pressure Assisted |
| Trap passageway: | 2-1/8" (54 mm) |
| Water Consumption | |
| Full: | 1 gpf (3.8 lpf) |
| Water surface size: | 9" x 7" (229 mm x 178 mm) |
| Rim to water surface: | 5-7/8" (149 mm) |
| Rough-in: | 12" (305 mm) |
| Seat-mounting holes: | 5-1/2" (140 mm) |

Fixture Supply Requirements

Min static pressure: 35 psi (241.3 kPa)

Notes

Install this product according to the installation instructions.

For back-to-back toilet installations: Use only a 45° double wye fitting.

ADA, OBC, CSA B651 compliant when installed to the specific requirements of these regulations.

Plumbing codes may require elongated toilets and elongated, open-front seats in public bathrooms.

Accessibility standards may require controls to be located on the open side of the toilet.