

## Features

- Advanced spray engine provides three alternate experiences: wide coverage, intense drenching, and targeted spray
- Wide coverage spray produces an encompassing spray for everyday use
- Intense drenching spray delivers a forceful spray ideal for rinsing shampoo from hair
- Targeted spray is a focused stream for targeting sore muscles or use as a utility spray
- Thumb tab allows for a smooth transition between sprays
- Combination of balance, weight, grip, and angle makes this handshower comfortable and easy to use
- MasterClean™ sprayface features an easy-to-clean surface that withstands mineral buildup and maximizes spray performance
- 2.5 gpm (9.5 lpm) handshower maximum flow rate at 80 psi (5.5 bar)
- Slidebar features adjustable mounting brackets for installation flexibility
- Box includes: Handshower, 28" (711 mm) slidebar with mounting brackets, 60" (1524 mm) metal hose
- Coordinates with other products in the Bellera collection

## Material

- KOHLER finishes resist corrosion and tarnishing



## Codes/Standards




ASME A112.18.1/CSA B125.1  
DOE - Energy Policy Act 1992

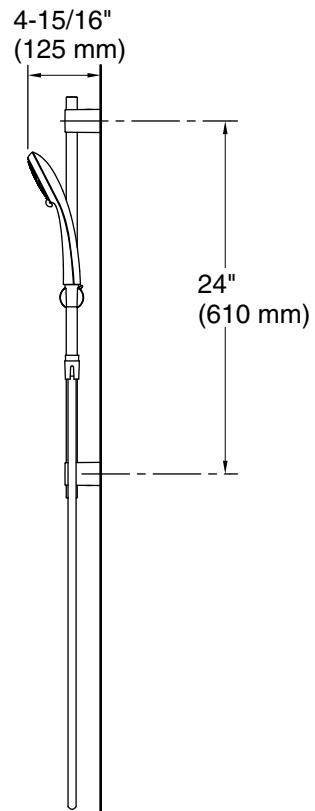
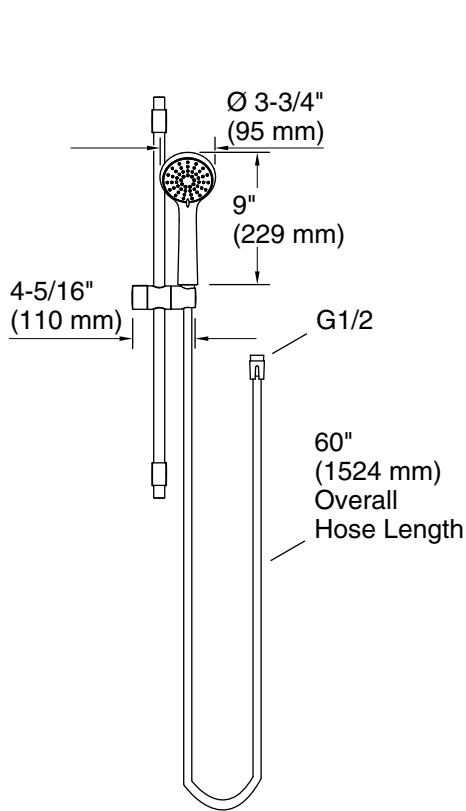
## KOHLER® Faucet Lifetime Limited Warranty

See website for detailed warranty information.

## Available Colors/Finishes

*Color tiles intended for reference only.*

| Color   | Code | Description             |
|---|------|-------------------------|
|  | CP   | Polished Chrome         |
|  | BN   | Vibrant® Brushed Nickel |
|  | BL   | Matte Black             |



**Technical Information**

All product dimensions are nominal.

Drain included: No

**Spout:**

Handshower rated max flow: 2.5 gal/min (9.5 l/min)

**Notes**

For use with automatic compensating valves rated at 1.2 gal/min (4.5 l/min) or less.