

**Features**

- 33" (838 mm) minimum base cabinet width
- Offset, double-bowl sink
- 9" (229 mm) depth provides generous workspace
- Smart Divide® feature offers a lower bowl divider that increases workspace versatility
- Rear drains increase workspace in the sink and storage space underneath
- Rounded 3/8" (10 mm) corners are easy to clean
- SilentShield® sound-absorption technology offers quieter performance
- All included accessories nest neatly together for easy storage when not in use
- Included accessories: cutting board, drain board, colander / drying rack, soaking bin with drain, stainless steel bottom sink rack, drain cover
- Sink drain and strainer sold separately

**Material**

- Premium 16-gauge stainless steel

**Installation**

- Undermount
- Installation hardware and templates included

**Recommended Products/Accessories**

K-35489 HDPE cutting board  
K-35491 Marble serving tray  
K-35485 Workstation sink cover

**Optional Products/Accessories**

K-8801 Sink drain and strainer with tailpiece  
K-11352 Disposal Flange with Stopper  
K-23729 Stainless steel cleaner

**Included Components**

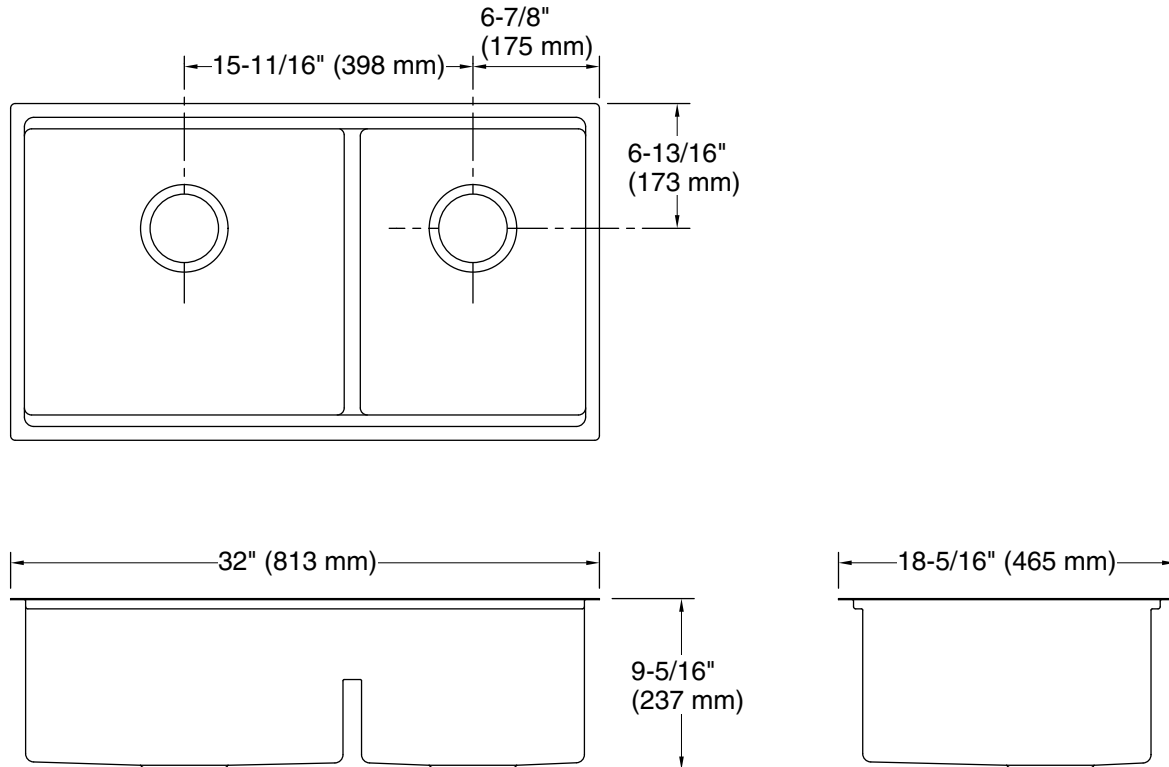
K-35478 Three-piece workstation sink accessory set  
K-35482 Drain cover

**Codes/Standards**

ASME A112.19.3/CSA B45.4

**KOHLER® Stainless Steel Sinks  
Lifetime Limited Warranty**

See website for detailed warranty information.



## Technical Information

All product dimensions are nominal.

Min. base cabinet width:	33" (838 mm)
Bowl area (Left):	Length: 17-1/8" (435 mm) Width: 15-9/16" (395 mm) Bowl depth: 9" (229 mm) Water depth: 9" (229 mm)
Bowl area (Right):	Length: 12" (305 mm) Width: 15-9/16" (395 mm) Bowl depth: 9" (229 mm) Water depth: 9" (229 mm)
Drain hole:	3-3/4" (94 mm)
Template:	Undermount, 1564888-7, required, included

## Notes

Install this product according to the installation instructions.

"NOTICE: Countertop manufacturer or cutter must use the cut-out template provided with the product, or a current one provided by Kohler Co. (call 1-800-4KOHLER). Kohler Co. is not responsible for cutout errors when the incorrect cut-out template is used."