

Features

- 30" (762 mm) minimum base cabinet width
- Single bowl
- 5-1/2" (140 mm) bowl depth for easy accessibility
- Right rear drain placement increases workspace in the sink and storage space underneath
- Rounded 3/8" (10 mm) corners are easy to clean
- SilentShield® sound-absorption technology offers quieter performance
- All included accessories nest neatly together for easy storage when not in use
- Included accessories: cutting board, drain board, colander / drying rack, soaking bin with drain, stainless steel bottom sink rack, drain cover
- Sink drain and strainer sold separately

Material

- Premium 16-gauge stainless steel

Installation

- Undermount
- Installation hardware and templates included

Recommended Products/Accessories

- K-35489 HDPE cutting board
- K-35491 Marble serving tray

Optional Products/Accessories

- K-8801 Sink drain and strainer with tailpiece
- K-11352 Disposal Flange with Stopper
- K-23729 Stainless steel cleaner

Included Components

- K-35478 Three-piece workstation sink accessory set
- K-35482 Drain cover



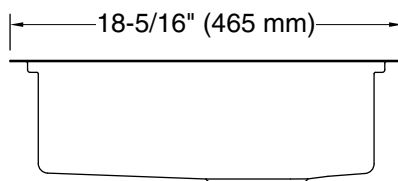
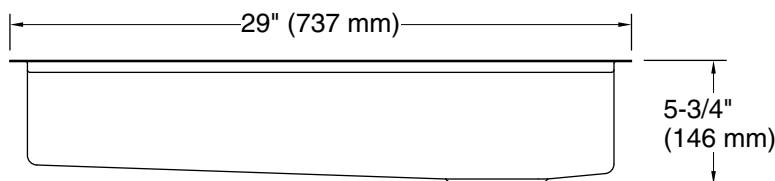
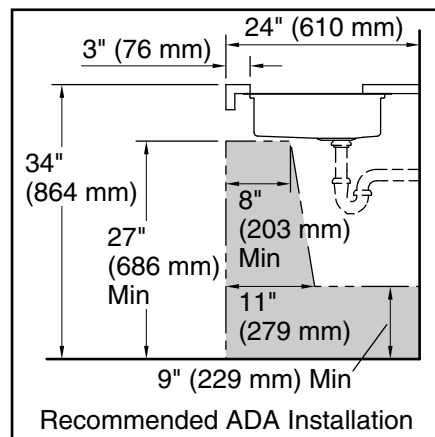
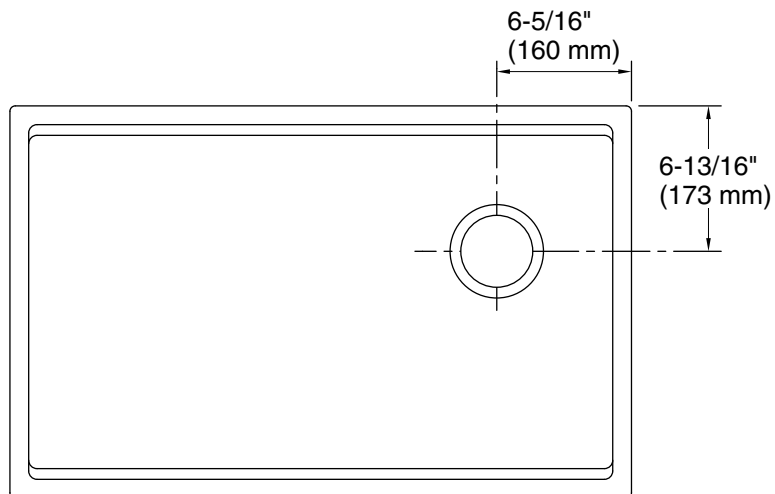
ADA

Codes/Standards

ASME A112.19.3/CSA B45.4
ADA
ICC/ANSI A117.1

KOHLER® Stainless Steel Sinks Lifetime Limited Warranty

See website for detailed warranty information.



Technical Information

All product dimensions are nominal.

Bowl configuration:	Single
Min. base cabinet width:	30" (762 mm)
Bowl area (Basin #1):	Length: 27-1/4" (692 mm) Width: 15-9/16" (395 mm) Bowl depth: 5-1/2" (139 mm) Water depth: 5-1/2" (139 mm)
Drain hole:	3-3/4" (94 mm)
Template:	Undermount, 1564887-7, required, included

Notes

Install this product according to the installation instructions.

"NOTICE: Countertop manufacturer or cutter must use the cut-out template provided with the product, or a current one provided by Kohler Co. (call 1-800-4KOHLER). Kohler Co. is not responsible for cutout errors when the incorrect cut-out template is used."

ADA compliant when installed to the specific requirements of these regulations.